

# Parts Catalogue

s e p t e m b e r 2 0 0 8

**BLUE GIANT**®



Dock Accessories



Conversion Kits



Communication packages



Wheel Chocks & Bumpers

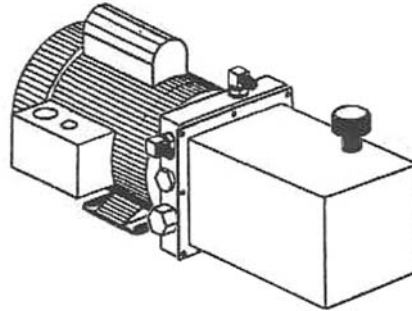
# Table of Contents

## Categorized Listing

FHC & FHE HYDRAULIC DOCK LEVELER - COMPLETE POWER PACK	1
FHC & FHE POWER PACK COMPONENT PARTS	2
FHC & FHE HYDRAULIC DOCK LEVELER - POWER PACK MOTOR ONLY	3
MTS HYDRAULIC POWER PACK & ASSEMBLY	3
VS COMPLETE POWER PACK ASSEMBLY	4
VS POWER PACK SPARE PARTS	4
FH AUTO RETURN LIP CYLINDER COMPONENTS	4
FH AUTO RETURN ASSEMBLY WITH LIP CYLINDER	5
FH DECK LIFTING CYLINDER & VELOCITY FUSE	5
MTS HYDRAULIC LIP CYLINDER ASSEMBLY	5
FH DOUBLE ACTING LIP EXTENSION CYLINDER	5
MTS HYDRAULIC LIP EXTENSION CYLINDER	6
FH SINGLE ACTING LIP EXTENSION CYLINDER	6
MTS HYDRAULIC VELOCITY FUSE	6
MTS HYDRAULIC DECK LIFTING CYLINDER	7
VS LIP DEPLOYMENT CYLINDER	7
VS MAIN DECK LIFTING CYLINDER	7
DOCK LEVELER HOLD DOWN BOX ASSEMBLY ( A & FMC)	8
FLOAT SPRING ( A & FMC)	8
MAIN DECK SPRING	8
FH CONTROL STATION BOX - WITH AUTO RETURN OPTION	9
FH CONTROL BOXES WITHOUT AUTO RETURN	9
FH CONTROL STATION BOX WITH EMERGENCY STOP BUTTON	9
FH CONTROL STATION BOX WITH INDEPENDENT LIP CONTROL	10
VS CONTROL BOX COMPLETE ASSEMBLY	10
MTS MECHANICAL DOCK LEVELER	11
MTS TENSION SPRING & MAIN BRACKET	12
MTS LIP TENSION SPRING	12
VS SAFETY STAND	12
VS SELF LOCKING ARM ASSEMBLY	13
VS SELF LOCKING ARM ASSEMBLY (POSITIVE SPRING LOCK)	13
MDC SERIES BUMPER ASSEMBLY	13
TL85 & TL85A PARTS	14
VEHICLE RESTRAINT LOCKOUT MECHANICAL SENSOR SWITCH	14
LAMINATED DOCK BUMPERS	15
MOLDED RUBBER DOCK BUMPERS	15
OVERHEAD DOOR MECHANICAL SENSOR SWITCH	15
OVERHEAD DOOR PHOTO REFLECTIVE SENSOR SWITCH	16
WHEEL CHOCK ASSEMBLY	16
EXTERIOR LIGHTS AND SIGNS	16
DOCK LEVELER SAFETY SKIRTS & HARDWARE	17
MTS SERIES SAFETY SKIRTS ASSEMBLY	17

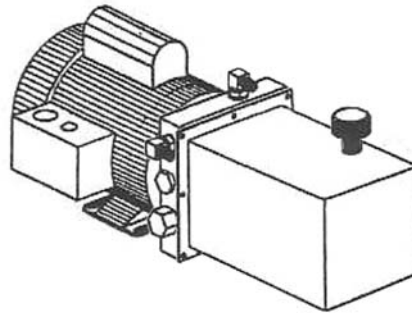
---

## FHC &amp; FHE HYDRAULIC DOCK LEVELER - COMPLETE POWER PACK



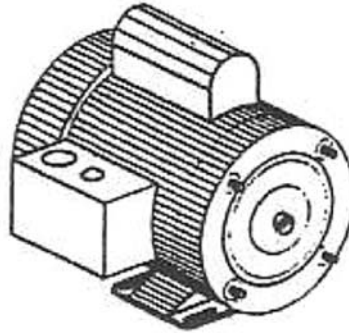
ITEM NO	QTY	PART ID	DESCRIPTION
	1	033-160	115-230/1/60 VOLTS - 60,000 TO 80'000 LBS. CAPACITY DOCK LEVELER
	1	033-161	230-460/3/60-50 VOLTS - 60,000 TO 80'000 LBS. CAPACITY DOCK LEVELER
	1	033-162	575-600/3/60-50 VOLTS - 60,000 TO 80'000 LBS. CAPACITY DOCK LEVELER
	1	033-403	115-230/1/60 VOLTS - 25,000 TO 50'000 LBS. CAPACITY DOCK LEVELER
	1	033-404	230-460/3/60-50 VOLTS - 25,000 TO 50'000 LBS. CAPACITY DOCK LEVELER
	1	033-405	575-600/3/60-50 VOLTS - 25,000 TO 50'000 LBS. CAPACITY DOCK LEVELER
	1	033-407	115-230/1/50 VOLTS - 25,000 TO 50'000 LBS. CAPACITY DOCK LEVELER
	1	033-410	208/1/50 VOLTS - 25,000 TO 50'000 LBS. CAPACITY DOCK LEVELER
	1	033-411	208/1/60 VOLTS - 25,000 TO 50'000 LBS. CAPACITY DOCK LEVELER
	1	033-412	208-416/3/60-50 VOLTS - 25,000 TO 50'000 LBS. CAPACITY DOCK LEVELER

FHC & FHE POWER PACK COMPONENT PARTS



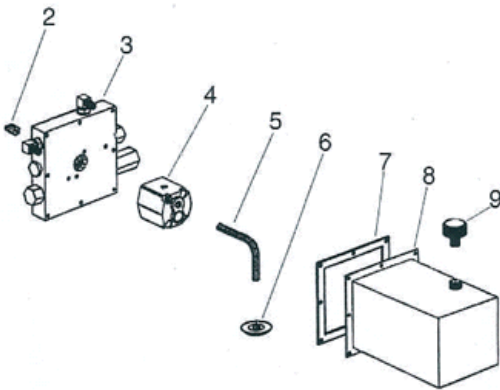
ITEM NO	QTY	PART ID	DESCRIPTION
2	1	...	COUPLING-MOTOR TO PUMP - 25,000 TO 50,000 LBS. CAPACITY DOCK LEVELER
2	1	.....	COUPLING-MOTOR TO PUMP - 60,000 TO 80'000 LBS. CAPACITY DOCK LEVELER
3	1	033-425	MANIFOLD C/W VALVES - 25,000 TO 50,000 LBS. CAPACITY DOCK LEVELER
3	1	033-426	MANIFOLD C/W VALVES - 60,000 TO 80'000 LBS. CAPACITY DOCK LEVELER
4	1	033-427	PUMP - 25,000 TO 50,000 LBS. CAPACITY DOCK LEVELER
4	1	033-428	PUMP - 60,000 TO 80'000 LBS. CAPACITY DOCK LEVELER
5	1	035-425	PICK UP TUBE - 60,000 TO 80'000 LBS. CAPACITY DOCK LEVELER
5	1	035-425	PICK-UP TUBE - 25,000 TO 50,000 LBS. CAPACITY DOCK LEVELER
6	1	035-426	FILTER SCREEN - 25,000 TO 50,000 LBS. CAPACITY DOCK LEVELER
6	1	035-426	FILTER SCREEN - 60,000 TO 80'000 LBS. CAPACITY DOCK LEVELER
7	1	035-427	GASKET - 25,000 TO 50,000 LBS. CAPACITY DOCK LEVELER
7	1	035-427	GASKET - 60,000 TO 80'000 LBS. CAPACITY DOCK LEVELER
8	1	035-428	OIL TANK - 25,000 TO 50,000 LBS. CAPACITY DOCK LEVELER
8	1	035-429	OIL TANK - 60,000 TO 80'000 LBS. CAPACITY DOCK LEVELER
9	1	035-238	BREATHER /FILLER - 25,000 TO 50,000 LBS. CAPACITY DOCK LEVELER
9	1	035-328	BREATHER / FILLER - 60,000 TO 80'000 LBS. CAPACITY DOCK LEVELER

**FHC & FHE HYDRAULIC DOCK LEVELER - POWER PACK MOTOR ONLY**



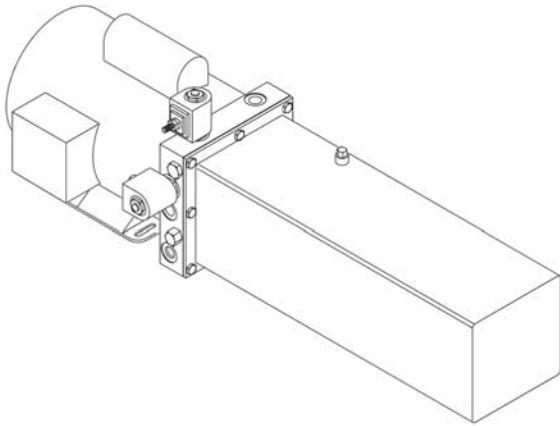
ITEM NO	QTY	PART ID	DESCRIPTION
	1	013-120	208-416/3/60-50 VOLTS - 60,000 TO 80,000 LBS. CAPACITY DOCK LEVELER
	1	031-115	115-230/1/60 VOLTS - 25,000 TO 50,000 LBS. CAPACITY DOCK LEVELER
	1	031-115	115-230/1/60 VOLTS - 60,000 TO 80,000 LBS. CAPACITY DOCK LEVELER
	1	031-116	115-230/1/50 VOLTS - 25,000 TO 50,000 LBS. CAPACITY DOCK LEVELER
	1	031-117	208/1/60 VOLTS - 25,000 TO 50,000 LBS. CAPACITY DOCK LEVELER
	1	031-118	208/1/50 VOLTS - 25,000 TO 50,000 LBS. CAPACITY DOCK LEVELER
	1	031-119	230-460/3/60-50 VOLTS - 25,000 TO 50,000 LBS. CAPACITY DOCK LEVELER
	1	031-119	230-460/3/60-50 VOLTS - 60,000 TO 80,000 LBS. CAPACITY DOCK LEVELER
	1	031-120	208-416/3/60-50 VOLTS - 25,000 TO 50,000 LBS. CAPACITY DOCK LEVELER
	1	031-121	575-600/3/60-50 VOLTS - 25,000 TO 50,000 LBS. CAPACITY DOCK LEVELER
	1	031-121	575-600/3/60-50 VOLTS - 60,000 TO 80,000 LBS. CAPACITY DOCK LEVELER

**MTS HYDRAULIC POWER PACK & ASSEMBLY**



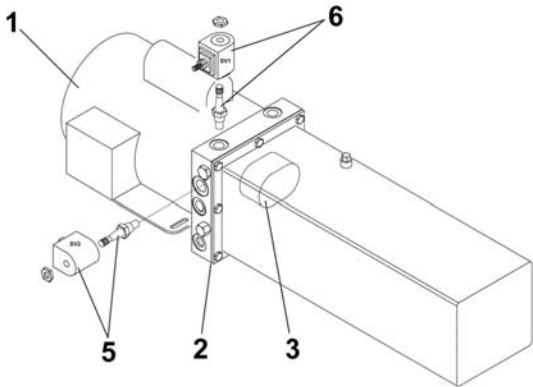
ITEM NO	QTY	PART ID	DESCRIPTION
1	1	031-115	115-230/1/60 MOTOR ONLY
1	1	031-116	115-230/1/50 MOTOR ONLY
1	1	031-117	208/1/60 MOTOR ONLY
1	1	031-118	208/1/50 MOTOR ONLY
1	1	031-119	230-460/3/60-50 MOTOR ONLY
1	1	031-120	208-416/3/60-50 MOTOR ONLY
1	1	031-121	575-600/3/60-50 MOTOR ONLY
2	1		COUPLING - MOTOR TO PUMP
3	1	033-425	MANIFOLD C/W VALVES
4	1	033-427	PUMP
5	1	035-425	PICK UP TUBE
6	1	035-426	FILTER SCREEN
7	1	035-427	GASKET
8	1	035-428	OIL TANK
9	1	035-238	BREATHER / FILLER

**VS COMPLETE POWER PACK ASSEMBLY**



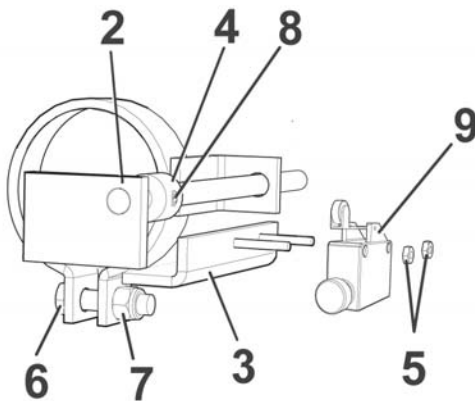
ITEM NO	QTY	PART ID	DESCRIPTION
	1	033-149	Power Pack 1HP 230/460/3/50-60 (1HP-208V/3Ø/60Hz)
	1	033-149	Power Pack 1HP 230/460/3/50-60 (1HP-230V/3Ø/60Hz)
	1	033-149	Power Pack 1HP 230/460/3/50-60 (1HP-460V/3Ø/60Hz)
	1	033-159	Power Pack 1HP 575/3/60 (1HP-575V/3Ø/60Hz)
	1	033-170	Power Pack 1HP 208/1/60 (1HP-208V/1Ø/60Hz)
	1	033-173	Power Pack 1HP 115/230/1/60 (1HP-115V/1Ø/60Hz)
	1	033-173	Power Pack 1HP 115/230/1/60 (1HP-230V/1Ø/60Hz)

**VS POWER PACK SPARE PARTS**



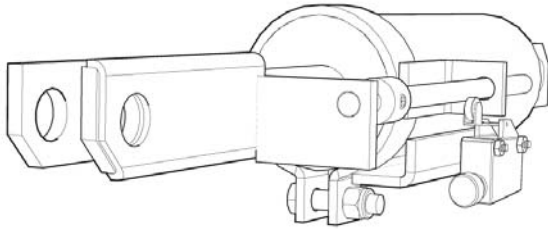
ITEM NO	QTY	PART ID	DESCRIPTION
1	1	031-094	Motor, 1HP 575/3/60Hz
1	1	031-095	Motor, 1HP 115-230/1/60Hz
1	1	031-096	Motor, 1HP 230/460/3/50-60Hz
2	1	033-670	Gasket
3	1	033-428	Pump
5	1	033-802	Coil, Valve & Stem - N.C. - Down (all kits)
6	1	033-774	Coil, Valve & Stem - N.O. - Lip Out (all kits)

**FH AUTO RETURN LIP CYLINDER COMPONENTS**



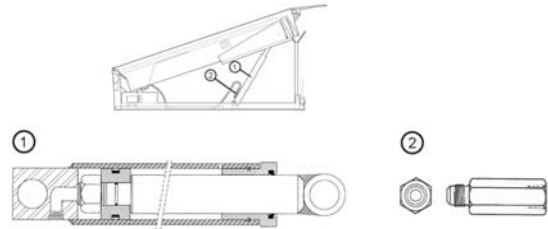
ITEM NO	QTY	PART ID	DESCRIPTION
2	1	788-345	Rod Assy (DI)
3	1	788-346	Cylinder Bracket
4	1	113-300	Switch Activator Auto Return
5	2	011-515	Nut, Hex #8-32 Machine Screw
6	1	010-040	Capscrew, Hex Hd. 3/8-16x1-1/2" "
7	1	011-552	Nut, Hex 3/8-16 Nylon Insert "
8	1	014-001	Setscrew, Sckt Hd Cp 1/4-20 X 1/4 "
9	1	025-601	Switch, Micro - Auto Return

**FH AUTO RETURN ASSEMBLY WITH LIP CYLINDER**



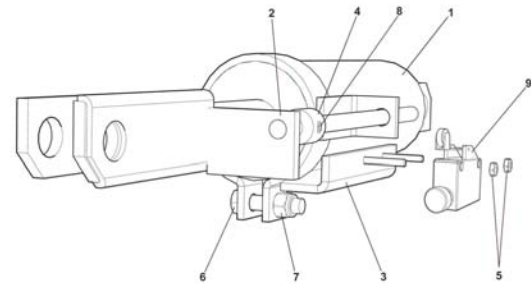
ITEM NO	QTY	PART ID	DESCRIPTION
	1	213-5027	LIP CYLINDER SINGLE ACTING- 20'000 TO 50'000 LBS DOCK LEVELER CAPACITY
	1	213-5027-1	LIP CYLINDER DOUBLE ACTING - 60'000 TO 80'000 LBS DOCK LEVELER CAPACITY

**FH DECK LIFTING CYLINDER & VELOCITY FUSE**



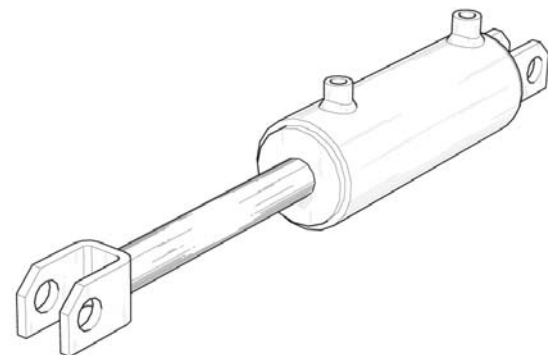
ITEM NO	QTY	PART ID	DESCRIPTION
1	1	036-205	SEAL KIT - FOR ALL DECK LIFTING CYLINDERS
1	1	788-635-1	6' & 8' LONG DOCK MODELS - CYLINDER
1	1	788-636-1	10' & 12' LONG DOCK MODELS - CYLINDER
2	1	033-661	VELOCITY FUSE - FALL SAFE

**MTS HYDRAULIC LIP CYLINDER ASSEMBLY**



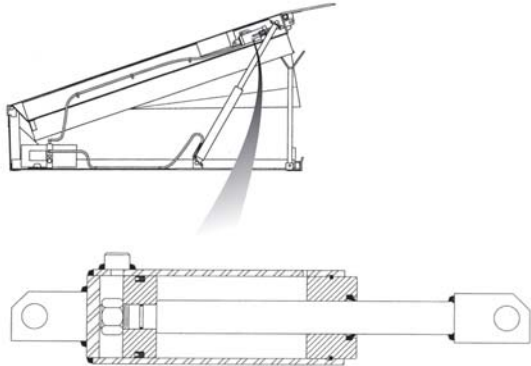
ITEM NO	QTY	PART ID	DESCRIPTION
		213-5027	Lip Cylinder Ass'y-Auto Return - MTS-H (16" & 18" Lip)
		213-5027-1	Lip Cylinder Ass'y-Auto Return - MTS-H (20" Lip)
1	1	788-599-1	Lip Cylinder – MTS-H All Capacity
2	1	788-345	Rod Assembly – Cam Mounting MTS-H All Capacity
3	1	788-346	Cylinder Bracket - MTS-H All Capacity
4	1	113-300	Switch Activator Auto Return - MTS-H All Capacity
5	2	011-515	Nut, Hex #8-32 Machine Screw - MTS-H All Capacity
6	1	010-040	Capscrew, Hex Hd. 3/8"-16x1-1/2" - MTS-H All Capacity
7	1	011-552	Nut, Hex 3/8"-16 Nylon Insert - MTS-H All Capacity
8	1	014-001	Setscrew, Sckt Hd Cp 1/4"-20 X 1/4 - MTS-H All Capacity
9	1	025-601	Switch, Micro – Auto-Return MTS-H All Capacity

**FH DOUBLE ACTING LIP EXTENSION CYLINDER**



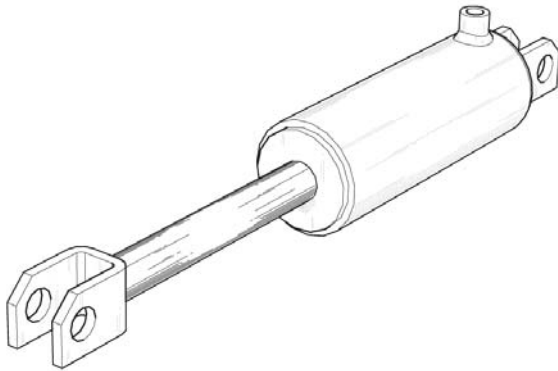
ITEM NO	QTY	PART ID	DESCRIPTION
	1	211-7002	LIP EXTENSION CYLINDER - 60'000 TO 80'000 LBS. CAPACITY DOCK MODELS
	1	211-7002-1	CYLINDER SEAL KIT - 60'000 TO 80'000 LBS. CAPACITY DOCK MODELS

**MTS HYDRAULIC LIP EXTENSION CYLINDER**



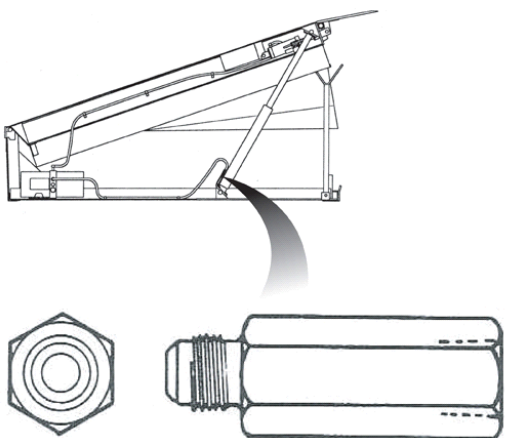
ITEM NO	QTY	PART ID	DESCRIPTION
	1	036-204	SEAL KIT for all MTS-H All Capacity Models
	1	788-599-1	LIP EXTENSION CYLINDER - MTS-H All Capacity (Single Acting)

**FH SINGLE ACTING LIP EXTENSION CYLINDER**



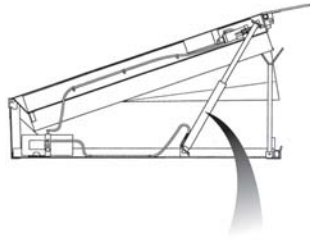
ITEM NO	QTY	PART ID	DESCRIPTION
	1	036-204	CYLINDER SEAL KIT - 25,000 TO 50,000 LBS. CAPACITY DOCK MODELS
	1	788-599-1	LIP EXTENSION CYLINDER - 25,000 TO 50,000 LBS. CAPACITY DOCK MODELS

**MTS HYDRAULIC VELOCITY FUSE**



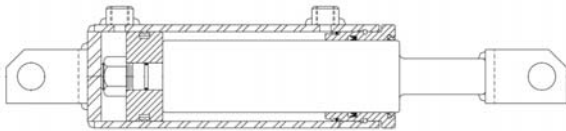
ITEM NO	QTY	PART ID	DESCRIPTION
	1	033-661	VELOCITY FUSE- ALL MODLES

**MTS HYDRAULIC DECK LIFTING CYLINDER**



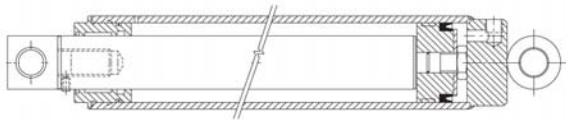
ITEM NO	QTY	PART ID	DESCRIPTION
	1	036-205	SEAL KIT FOR ALL DECK LIFTING CYLINDERS
	1	788-635-1	DECK LIFTING CYLINDER – MTS-H (16" & 18" Lip)
	1	788-636-1	DECK LIFTING CYLINDER – MTS-H (20" Lip)

**VS LIP DEPLOYMENT CYLINDER**



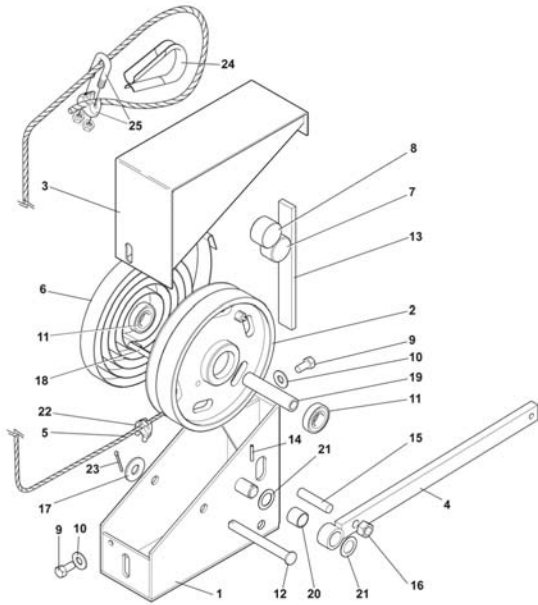
ITEM NO	QTY	PART ID	DESCRIPTION
	1	211-7002	LIP CYLINDER COMPLETE ASSEMBLY
	1	211-7002-1	LIP CYLINDER SEAL KIT FOR 211-7002

**VS MAIN DECK LIFTING CYLINDER**



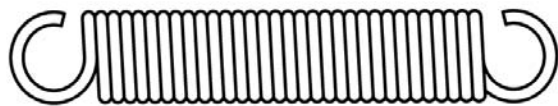
ITEM NO	QTY	PART ID	DESCRIPTION
	1	781-917	CYLINDER COMPLETE ASSEMBLY
	1	783-553	CYLINDER SEAL KIT

**DOCK LEVELER HOLD DOWN BOX ASSEMBLY ( A & FMC)**



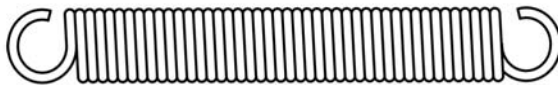
ITEM NO	QTY	PART ID	DESCRIPTION
1	1	788-035	HOLD DOWN BOX WELDMENT
1 to 23	1	788-037-2	6'/8'/10' LONG DOCK HOLD DOWN BOX COMPLETE ASSEMBLY
1 to 23	1	788-037-3	12' LONG DOCK HOLD DOWN BOX COMPLETE ASSEMBLY
1 to 25	1	788-037-2S	6'/8'/10' LONG DOCK SERVICE KIT
1 to 25	1	788-037-3S	12' LONG DOCK SERVICE KIT
10	2	012-211	FLAT WASHER 1/4"
11	2	018-500	BEARING
12	1	210-0005	PIN (4.5) ZINC PLATED
13	1	113-089	WEAR STRIP
14	1	013-005	SPRING PIN 5/32"X1" LG
15	1	113-090	STUD
16	1	011-508	NUT, HEX 1/2"-2-1/2" LG
17	1	012-239	WASHER, SPACER -0.501/0.505 IDx1"ODx1/8"THK
18	1	013-094	SPRING PIN 5/16"2-1/2" LG
19	1	113-198	REWIND WHEEL SLEEVE
2	1	788-111-2	REWIND WHEEL FOR 1/4" CABLE
20	1	018-001	BUSHING
21	2	105-878	WASHER
22	1	013-536	CABLE CLAMP
23	1	013-021	COTTER PIN-1/8"X1-1/4"
24	1	013-618	CABLE THIMBLE, 1/4" (for service kits)
25	1	013-536	CABLE CLAMP (for service kits)
3	1	788-034	HOLD DOWN BOX COVER
4	1	788-055	RELEASE CONTROL ASSEMBLY
5	1	223-0017	6'/8'/10' LONG DOCK CABLE ASSEMBLY, 1/4" CABLE (168" LG)
5	1	223-0017-1	12' LONG DOCK CABLE ASSEMBLY, 1/4" CABLE (220")
6	1	113-143	COIL SPRING
7	1	103-167	LOCK ROLLER (HARDENED)
8	1	113-085	COUNTER WEIGHT
9	2	010-012	CAPSCREW, HEXHD. 3/8"-16X3/4"

**FLOAT SPRING ( A & FMC)**



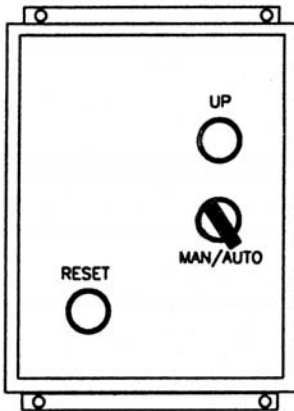
ITEM NO	QTY	PART ID	DESCRIPTION
	1	203-0019	FM FLOAT SPRING ALL MODELS

**MAIN DECK SPRING**



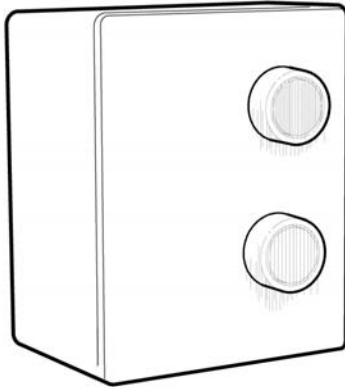
ITEM NO	QTY	PART ID	DESCRIPTION
	4	223-0004	MAIN DECK SPRING (6' W DOCK 25,30,35,000 LBS)
	5	223-0004	MAIN DECK SPRING (6',6'6",7' W DOCK 25,30,35,000 LBS)

**FH CONTROL STATION BOX - WITH AUTO RETURN OPTION**



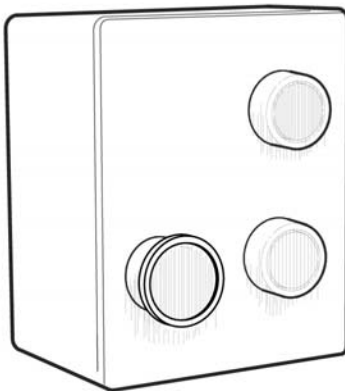
ITEM NO	QTY	PART ID	DESCRIPTION
	1	027-048	460/3/60 VOLTS 1 HP
	1	027-142	575/3/60 VOLTS 1 HP
	1	027-163	120/1/50-60 VOLTS 1 HP
	1	027-164	230/1/50-60 VOLTS 1 HP
	1	027-165	208-230/3/50-60 VOLTS 1 HP

**FH CONTROL BOXES WITHOUT AUTO RETURN**



ITEM NO	QTY	PART ID	DESCRIPTION
1	1	027-005	MOTOR STARTER 460/3/60 VOLTS 1HP
1	1	027-006	MOTOR STARTER 115/1/50/60 VOLTS 1HP
1	1	027-007	MOTOR STARTER 208/230/240/1/50/60 VOLTS 1HP
1	1	027-008	MOTOR STARTER 208/230/3/50/60 VOLTS 1HP
1	1	027-009	MOTOR STARTER 575/3/60 VOLTS 1HP
1	1	027-168	MOTOR STARTER 380/415/3/50 VOLTS 1HP

**FH CONTROL STATION BOX WITH EMERGENCY STOP BUTTON**



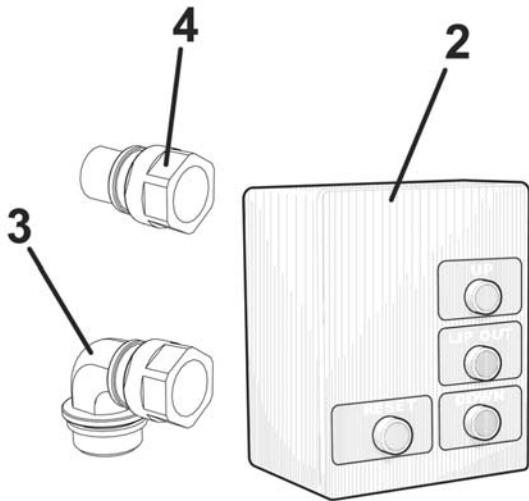
ITEM NO	QTY	PART ID	DESCRIPTION
1	1	027-175	115/1/60 VOLTS 1HP
1	1	027-175-1	208/1/60 VOLTS 1HP
1	1	027-175-2	230/1/60 VOLTS 1HP
1	1	027-175-3	208/3/60 VOLTS 1HP
1	1	027-175-4	230/3/60 VOLTS 1HP
1	1	027-175-5	460/3/60 VOLTS 1HP
1	1	027-175-6	575/3/60 VOLTS 1HP
1	1	027-175-7	415/3/50 VOLTS 1HP
1	1	027-175-8	380/3/50 VOLTS 1HP

**FH CONTROL STATION BOX WITH INDEPENDENT LIP CONTROL**



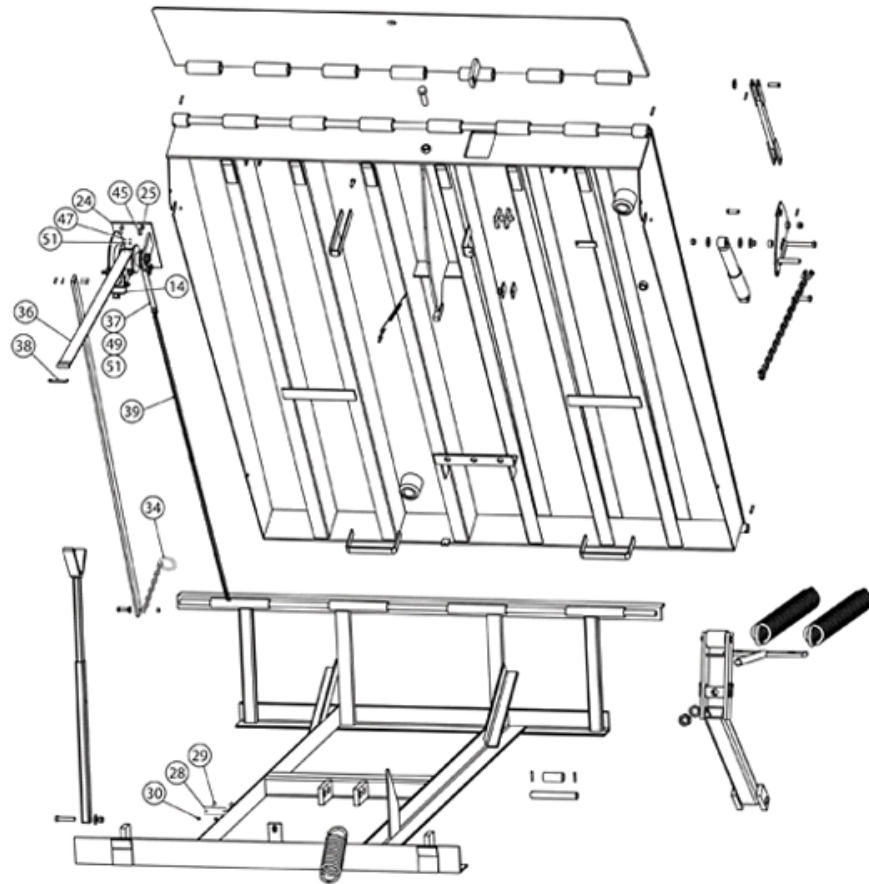
ITEM NO	QTY	PART ID	DESCRIPTION
	1	027-014-5	575/3/60 VOLTS 1 HP
	1	027-015-3	208/1/60 VOLTS 1 HP
	1	027-016-3	208/3/60 VOLTS 1 HP
	1	027-017-5	(460/3/60) VOLTS 1 HP
	1	027-022-3	230/1/50-60 VOLTS 1 HP
	1	027-031-1	230/3/60 VOLTS 1 HP
	1	027-081-3	115/1/60 VOLTS 1 HP
	1	027-095-1	415/3/50 VOLTS 1 HP

**VS CONTROL BOX COMPLETE ASSEMBLY**



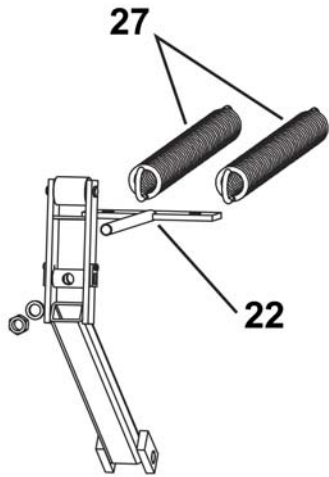
ITEM NO	QTY	PART ID	DESCRIPTION
2	1	027-054-4	Control Box 230/3/60 (1HP-230V/3Ø/60Hz)
2	1	027-052	Control Box 208/1/60 (1HP-208V/1Ø/60Hz)
2	1	027-052-1	Control Box 230/1/60 (1HP-230V/1Ø/60Hz)
2	1	027-054-1	Control Box 460/3/60 (1HP-460V/3Ø/60Hz)
2	1	027-054-2	Control Box 575/3/60 (1HP-575V/3Ø/60Hz)
2	1	027-054-3	Control Box 208/3/60 (1HP-208V/3Ø/60Hz)
2	1	027-077	Control Box 110/1/60 (1HP-115V/1Ø/60Hz)
3	4	025-010	Connector Lt - 3/8-90° (All Kits)
4	1	025-014	Fitting, Electrical (All Kits)

**MTS MECHANICAL DOCK LEVELER**



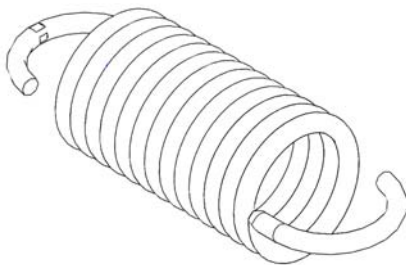
ITEM NO	QTY	PART ID	DESCRIPTION
14	1	200-02416	BRAKE DISC CALIPER ASSEMBLY
24	1	200-03018	HOLD DOWN BOX ASSEMBLY (STRAPS NOT INCLD.)
25	4	012-201	LOCK WASHER
28	1	200-02346	STRAP RETAINING BAR
29	2	010-001	CAP SCREW 1/4"-20X1HH
30	2	011-506	HEX NUT 1/4"-20 UNC NUT
34	1	788-197	PULL CHAIN
36	1	200-02422	HOLD DOWN STRAP (10' LONG DOCKS)
36	1	200-02422-1	HOLD DOWN STRAP (6' & 8' LONG DOCKS)
37	1	200-02423	TENSION STRAP
38	1	200-02409	STRAP RETAINING PIN
39	1	200-02413	TENSION SPRING (8' & 10' LONG DOCKS)
39	1	200-02547	TENSION SPRING (6' LONG DOCKS)
45	4	011-507	HEX NUT
47	2	011-104	HEX SOCKET BHCSCREW 1/4"UNCX1/2"LNG
49	1	011-183	HEX SOCKET BHCSCREW #10-24UNCX3/8"LNG
51	3	012-208	FLAT WASHER #10

**MTS TENSION SPRING & MAIN BRACKET**



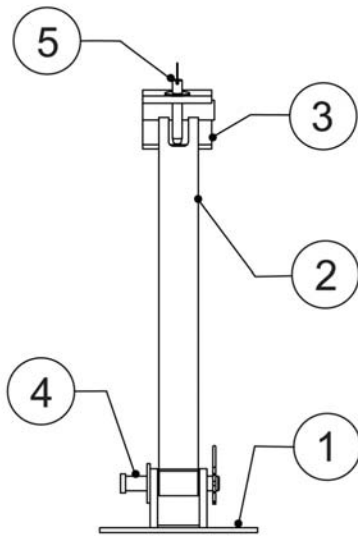
ITEM NO	QTY	PART ID	DESCRIPTION
22	1	200-02360	MAIN SPRING BRACKET ( 8 ' L ) ( 6 ' & 6'6" W )
22	1	200-02972	MAIN SPRING BRACKET ( 6 ' L ) ( 6 ' , 6'6" & 7 ' W )
22	1	200-02979	MAIN SPRING BRACKET ( 8 ' L ) ( 7 ' W )
22	1	200-03468	MAIN SPRING BRACKET ( 10 ' L )
27	2	200-02414C	TENSION SPRING DECK ( 6 ' L DOCK )
27	2	200-02414C	TENSION SPRING DECK ( 8 ' L DOCK )
27	3	200-02414C	TENSION SPRING DECK ( 6 ' L X 7 ' L DOCK )
27	4	200-02414C	TENSION SPRING DECK ( 10 ' L DOCK )

**MTS LIP TENSION SPRING**



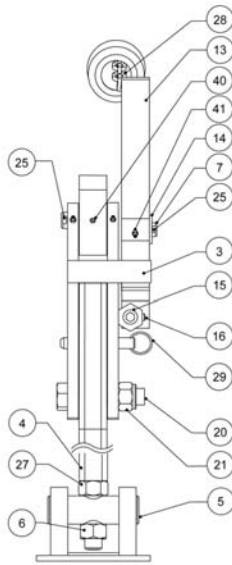
ITEM NO	QTY	PART ID	DESCRIPTION
	1	200-02411	LIP SPRING ( ALL MTS-M MODELS )

**VS SAFETY STAND**



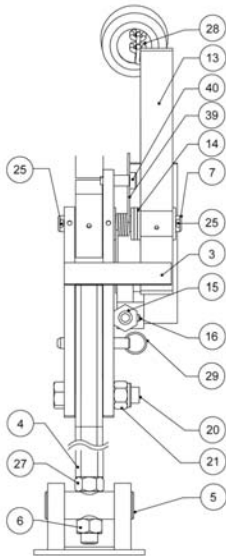
ITEM NO	QTY	PART ID	DESCRIPTION
1	1	200-03173-1	STAND BRACKET WELDMENT ( 5 ' & 6 ' LONG DOCKS )
1	1	200-03176-1	STAND BRACKET WELDMENT ( 8 ' LONG DOCKS )
2	1	200-03176-1	STAND WELDMENT ( 8 ' LONG DOCKS )
2	1	200-03522	STAND WELDMENT ( 5 ' & 6 ' LONG DOCKS )
3	1	200-03175	ANGLE BRACKET
4	1	200-03178	PIVOT PIN
5	1	200-03177	SAFETY STAND LOCK PIN
6	1	013-029	LOCK PIN

**VS SELF LOCKING ARM ASSEMBLY**



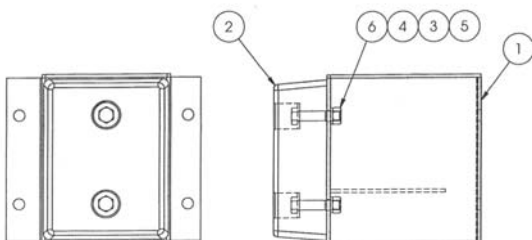
ITEM NO	QTY	PART ID	DESCRIPTION
13	1	785-455	SELF LOCKING RELEASE
14	1	012-266	FLAT WASHER
15	1	014-054	SET SCREW , CUP POINT
16	1	014-068	SCREW BRASS TIPSET
20	1	010-028	HHCS 3/4"
21	1	011-554	NYLON LOCK NUT 3/4"
25	2	013-000	COTTER PIN
27	1	011-530	JAM NUT 3/4"
28	1	782-276	PULL CHAIN
29	1	785-454	SAFETY PIN WELDMENT
3	1	200-02687	SELF LOCKING ARM
4	1	232-5013	SELF LOCKING TUBE
40	1	014-002	SET SCREW , CUP POINT
41	5	019-500	GREASE NIPPLE
5	1	119-024	PIVOT ROD
6	1	011-510	3/4" HEX NUT
7	1	200-02703	PIN, HANGER

**VS SELF LOCKING ARM ASSEMBLY (POSITIVE SPRING LOCK)**



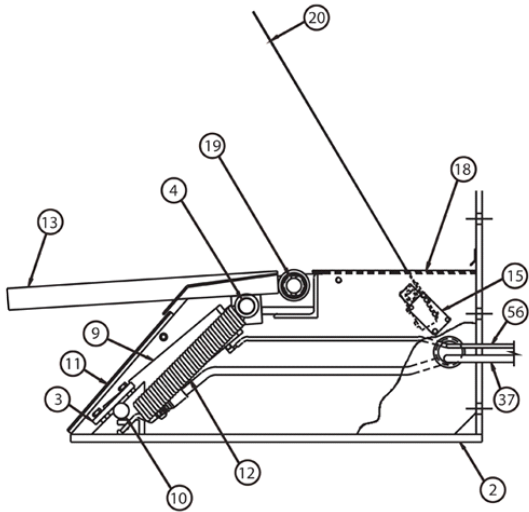
ITEM NO	QTY	PART ID	DESCRIPTION
13	1	200-02796	SELF LOCKING RELEASE
14	5	012-266	FLAT WASHER
15	1	014-054	SET SCREW , CUP POINT
16	1	014-068	SCREW BRASS TIPSET
20	1	010-103	HHCS 3/4"
21	1	011-535	NYLON LOCK NUT 3/4"
25	2	013-000	COTTER PIN
27	1	011-530	JAM NUT 3/4"
28	1	782-276	PULL CHAIN
29	1	785-454	SAFETY PIN WELDMENT
3	1	200-02687-1	SELF LOCKING ARM
39	1	200-01999	TORSION SPRING
4	1	232-5013	SELF LOCKING TUBE
40	1	011-079	SOCKET HEAD SHOULDER SCREW
5	1	119-024	PIVOT ROD
6	1	011-510	3/4" HEX NUT
7	1	200-02795	PIN, HANGER

**MDC SERIES BUMPER ASSEMBLY**



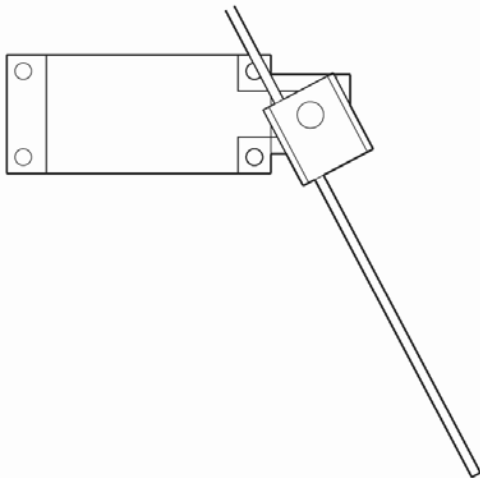
ITEM NO	QTY	PART ID	DESCRIPTION
	2	200-01568	COMPLETE BUMPER ASSEMBLY
1	1	200-01583	BUMPER BRACKET
2	1	110-886	BUMPER - DB-13
3	2	010-086	HHCS
4	2	012-222	SPRING LOCK WASHER
5	2	012-214	WASHER
6	2	011-510	NUT

**TL85 & TL85A PARTS**



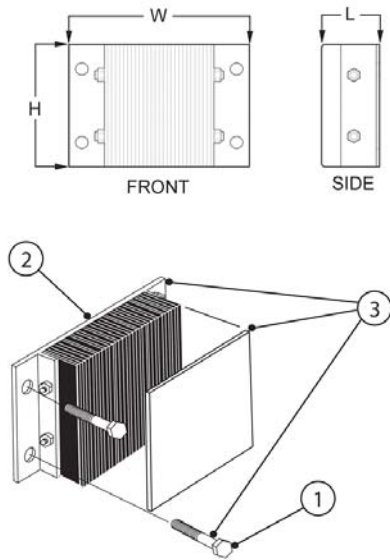
ITEM NO	QTY	PART ID	DESCRIPTION
10	1	115-307	CYLINDER PIN
11	1	115-100	FRONT COVER
12	2	017-034	RESTRAINT ARM RETURN SPRING
13	1	512-5006	RESTRAINT ARM ASSEMBLY
15	1	025-995	LIMIT SENSOR SWITCH
18	1	115-103	TOP COVER
19	1	115-099	RETRAIANT ARM HINGE PIN
2	1	510-5002	BODY ASSEMBLY
20	1	116-868	SENSOR WAND
3	2	113-096-1	PIVOT BLOCK TOP PLATE
37	1	100-5000-5	HOSE #4 HIGH PRESSUE (for TL-85)
37	1	780-613	HOSE ASSEMBLY 24 FT (for TL-85A)
4	1	115-094	SPRING HOLDER PIN
56	1	090-909-2400	POLYETHYLENE TUBE 24 FT (TL-85A BREATHER LINE RETURN)
9	1	035-662	CYLINDER ASSEMBLY- COMPLETE

**VEHICLE RESTRAINT LOCKOUT MECHANICAL SENSOR SWITCH**



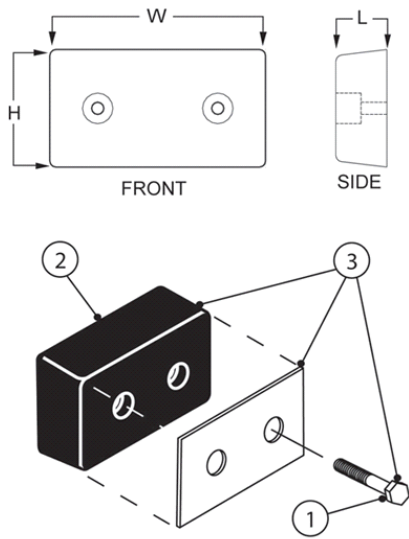
ITEM NO	QTY	PART ID	DESCRIPTION
	1	028-126	SENSOR SWITCH C/W OPERATING WAND

**LAMINATED DOCK BUMPERS**



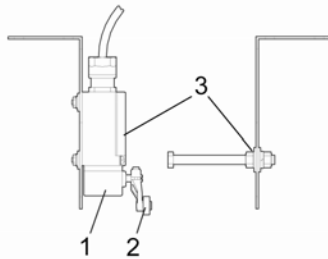
ITEM NO	QTY	PART ID	DESCRIPTION
1	2	010-107	LAG BOLT FOR LAMINATED BUMPERS
2	1	DB411	4.5"X14"X10" LAMINATED BUMPER
2	1	DB412	4.5"X14X20" LAMINATED BUMPER
2	1	DB421	4.5"X24"X10" LAMINATED BUMPER
2	1	DB431	4.5"X36"X10" LAMINATED BUMPER
2	1	DB511	5.5"X14"X10" LAMINATED BUMPER
2	1	DB512	5.5"X14"X20" LAMINATED BUMPER
2	1	DB521	5.5"X24"X10" LAMINATED BUMPER
2	1	DB531	5.5"X36"X10" LAMINATEED BUMPER
3	1	DB411FP	4.5"X14"X10" FACE PLATE
3	1	DB412FP	4.5"X14"X20" FACE PLATE
3	1	DB511FP	5.5"X14"X10" FACE PLATE
3	1	DB512FP	5.5"X14"X20" FACE PLATE

**MOLDED RUBBER DOCK BUMPERS**



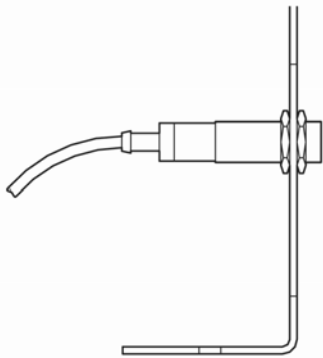
ITEM NO	QTY	PART ID	DESCRIPTION
	1	010-108	LAG BOLT FOR MOLDED BUMPERS
	2	090-470	4"X18"X18" MOLDED RUBBER BUMPERS
	2	110-886	4"X10"X13" MOLDED RUBBER BUMPERS
	2	DB13	4"X10"X18" MOLDED RUBBER BUMPERS
	2	DB30	4"X10"X30" MOLDED RUBBER BUMPERS
	3	DB13FP	4"X10"X13" FACE PLATE (Bumper Includ.)
	3	DB18FP	4"X10"X18" FACE PLATE (Bumper Includ.)

**OVERHEAD DOOR MECHANICAL SENSOR SWITCH**



ITEM NO	QTY	PART ID	DESCRIPTION
1	1	028-068	SENSOR SWITCH - MAINTAINED CONTACT TYPE
2	1	028-070	OPERATING ARM - DOUBLE ROLLER TYPE
3	1	783-300	MECHANICAL SENSOR SWITCH KIT

**OVERHEAD DOOR PHOTO REFLECTIVE SENSOR SWITCH**



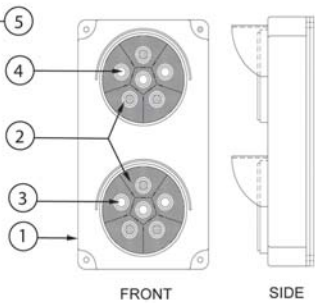
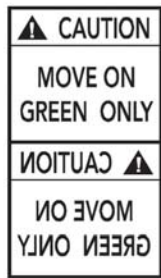
ITEM NO	QTY	PART ID	DESCRIPTION
	1	028-120	SENSOR SWITCH - PROXIMITY PHOTO REFLECTIVE TYPE
	1	783-300-1	PHOTO REFELTIVE SENSOR SWITCH KIT

**WHEEL CHOCK ASSEMBLY**



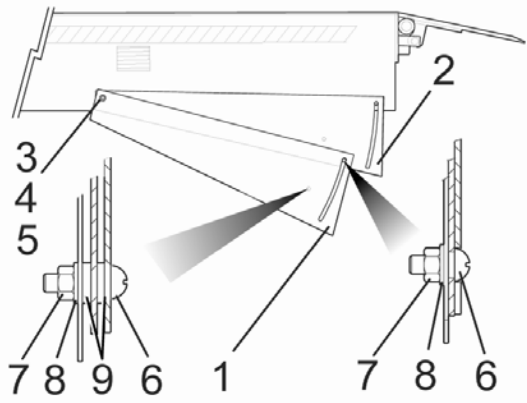
ITEM NO	QTY	PART ID	DESCRIPTION
1	1	090-490	RUBBER WHEEL CHOCK
2	1	090-490-1	RUBBER WHEEL CHOCK C/W 15' CHAIN
3	1	701-B99	CHOCK SAFETY KIT (incl. chock, chain, bracket & sign)

**EXTERIOR LIGHTS AND SIGNS**



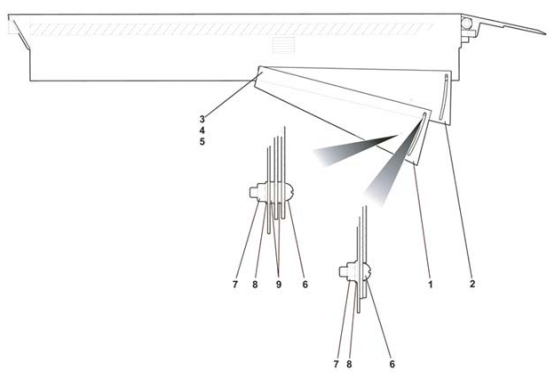
ITEM NO	QTY	PART ID	DESCRIPTION
1	1	032-398	LED TRAFFIC LIGHT 115VAC (yellow)
1	1	032-398-1	LED TRAFFIC LIGHT 115VAC (black)
2	1	032-803	LED & LENS REPLACEMENT both red & green (for 032-398)
3	1	032-362-R	LAMP, RED LED, 115/1/60
4	1	032-362-G	LAMP, GREEN LED, 115/1/60
5	1	032-225	CAUTION SIGN WITH MIRROR IMAGE

**DOCK LEVELER SAFETY SKIRTS & HARDWARE**



ITEM NO	QTY	PART ID	DESCRIPTION
		202-5024	SAFETY SKIRT PACKAGE - 6', & 8' LONG DOCKS
		202-5024-1	SAFETY SKIRT PACKAGE - 10' LONG DOCK
		202-5024-2	SAFETY SKIRT PACKAGE - 12' LONG DOCK
1	2	202-0036	SAFETY SKIRT, LOWER - 6' & 8' LONG DOCKS
1	2	202-5035	SAFETY SKIRT, LOWER - 12' LONG DOCK
1	2	202-5036-1	SAFETY SKIRT, LOWER - 10' LONG DOCK
2	2	202-0037	SAFETY SKIRT, MIDDLE - 6' & 8' LONG DOCKS
2	2	202-5037-1	SAFETY SKIRT, MIDDLE - 10' & 12' LONG DOCKS
3	2	010-039	CAP SCREW HEX HD. - 3/8"-16X1"
4	2	012-252	WASHER, FLAT - 3/8"ID BS WASHER
5	2	011-552	NUT, HEX 3/8" -16 X1"
6	4	011-135	CAPSCREW, SOCKET BUTTON HD. 5/16"-18X3/4"
7	4	011-543	NUT, HEX -5/16"-18 NYLON INSERT
8	4	012-211	WASHER, ZINC 5/16" bs FLAT
9	4	012-312	WASHER NYLON FENDER 5/16"IDx7/8"ODx1/16"TH
NS	2GA	039-059	PAINT, SAFETY YELLOW

**MTS SERIES SAFETY SKIRTS ASSEMBLY**



ITEM NO	QTY	PART ID	DESCRIPTION
		202-5024	Safety Skirt Package - 6' Long
		202-5024-1	Safety Skirt Package - 8' & 10' Long
		202-5024-2	Safety Skirt Package - 12' Long
		202-5024-3	Safety Skirt Package - 14' Long
1	2	202-0036	Safety Skirt, Lower - 6' Long
1	2	202-5036-1	Safety Skirt, Lower - 8' & 10' Long
2	2	202-0037	Middle Safety Skirt - 6'
2	2	202-5037-1	Middle Safety Skirt - 8' & 10' Long
3	2	010-039	Cap Screw, Hex Hd. - 3/8"-16x1"
4	2	012-252	Washer, Flat -3/8"ID BS Washer
5	2	011-552	Nut, Hex 3/8"-16 Nylon Insert
6	4	011-135	Capscrew, Sckt Btn/Hd 5/16"-18x3/4
7	4	011-543	Nut, Hex - 5/16"-18 Nylon Insert
8	4	012-211	Washer, Zinc 5/16" Bs Flat
9	4	012-312	Washer Nylon Fender 5/16"IDx 7/8"ODx1/16"TH
NS	2GA	039-059	PAINT, SAFETY YELLOW

# Table of Contents

<b>D</b>		
	DOCK LEVELER HOLD DOWN BOX ASSEMBLY ( A & FMC)	8
	DOCK LEVELER SAFETY SKIRTS & HARDWARE	17
	Docks	1-17
<b>E</b>		
	EXTERIOR LIGHTS AND SIGNS	16
<b>F</b>		
	FH AUTO RETURN LIP CYLINDER COMPONENTS	4
	FH AUTO RETURN ASSEMBLY WITH LIP CYLINDER	5
	FH CONTROL BOXES WITHOUT AUTO RETURN	9
	FH CONTROL STATION BOX - WITH AUTO RETURN OPTION	9
	FH CONTROL STATION BOX WITH EMERGENCY STOP BUTTON	9
	FH CONTROL STATION BOX WITH INDEPENDENT LIP CONTROL	10
	FH DECK LIFTING CYLINDER & VELOCITY FUSE	5
	FH DOUBLE ACTING LIP EXTENSION CYLINDER	5
	FH SINGLE ACTING LIP EXTENSION CYLINDER	6
	FHC & FHE HYDRAULIC DOCK LEVELER - COMPLETE POWER PACK	1
	FHC & FHE HYDRAULIC DOCK LEVELER - POWER PACK MOTOR ONLY	3
	FHC & FHE POWER PACK COMPONENT PARTS	2
	FLOAT SPRING ( A & FMC)	8
<b>L</b>		
	LAMINATED DOCK BUMPERS	15
<b>M</b>		
	MAIN DECK SPRING	8
	MDC SERIES BUMPER ASSEMBLY	13
	MOLDED RUBBER DOCK BUMPERS	15
	MTS HYDRAULIC LIP CYLINDER ASSEMBLY	5
	MTS HYDRAULIC LIP EXTENSION CYLINDER	6
	MTS HYDRAULIC POWER PACK & ASSEMBLY	3
	MTS HYDRAULIC VELOCITY FUSE	6
	MTS HYDRAULIC DECK LIFTING CYLINDER	7
	MTS LIP TENSION SPRING	12
	MTS MECHANICAL DOCK LEVELER	11
	MTS SERIES SAFETY SKIRTS ASSEMBLY	17
	MTS TENSION SPRING & MAIN BRACKET	12
<b>O</b>		
	OVERHEAD DOOR MECHANICAL SENSOR SWITCH	15
	OVERHEAD DOOR PHOTO REFLECTIVE SENSOR SWITCH	16
<b>T</b>		
	TL85 & TL85A PARTS	14
<b>V</b>		
	VEHICLE RESTRAINT LOCKOUT MECHANICAL SENSOR SWITCH	14
	VS COMPLETE POWER PACK ASSEMBLY	4
	VS CONTROL BOX COMPLETE ASSEMBLY	10
	VS LIP DEPLOYMENT CYLINDER	7
	VS MAIN DECK LIFTING CYLINDER	7
	VS POWER PACK SPARE PARTS	4
	VS SAFETY STAND	12
	VS SELF LOCKING ARM ASSEMBLY	13
	VS SELF LOCKING ARM ASSEMBLY (POSITIVE SPRING LOCK)	13
<b>W</b>		
	WHEEL CHOCK ASSEMBLY	16