

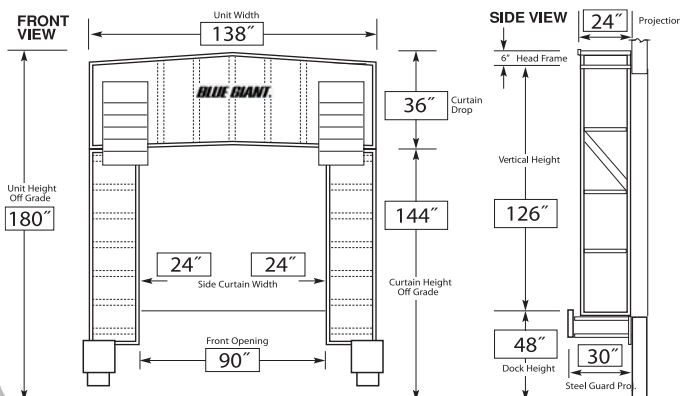
Accommodates a large variety of trailer sizes and heights.

Benefits

- SAVE hundreds of dollars in reduced energy costs
- IMPROVE working conditions & by keeping dust, dirt, debris insects out
- PROTECT product & personnel from harsh weather conditions
- INCREASE PRODUCTIVITY by providing a safe & comfortable working environment
- DURABLE range of Hi-Performance fabrics to choose from
- CUSTOM sizes available



Standard Size Specifications

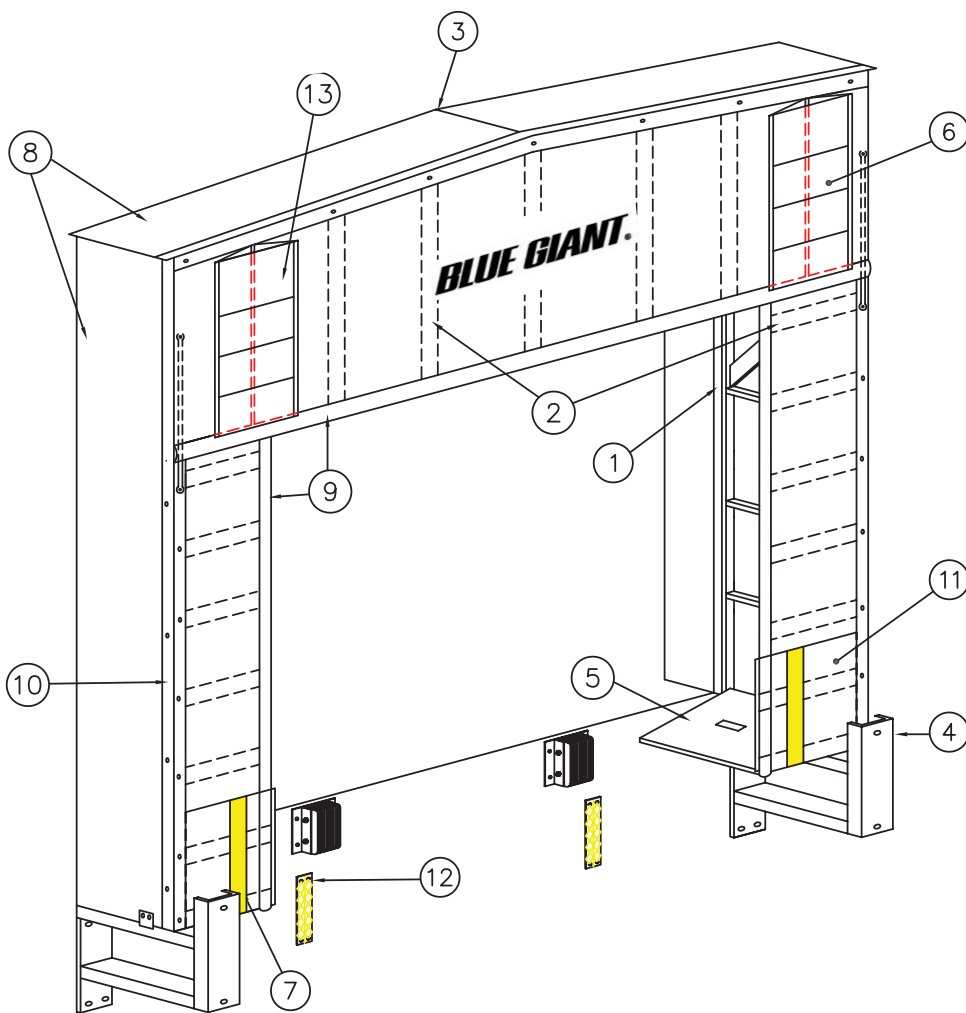


Generally designed to suit 10' wide x 10' high openings.

The series BG400TS provides full access to the rear of the trailer while creating a tight seal against the top and sides of the truck.

Wear flaps are located on the head curtain at the contact areas and a double layer of fabric is sewn onto the bottom 24" of the side curtains for added reinforcement.

With one of the largest selections and colours of fabrics available, Blue Giant can offer the ideal solution for your unique loading dock requirements.



- 1 Pressure treated framing resists rot (optional galvanized frame available)
- 2 Stiffeners in head & side curtains help to maintain constant pressure against trailer ensuring a tight seal
- 3 Raked head frame diverts water to sides
- 4 Protective steel guards
- 5 Replaceable foam bottom pads seal gap between truck and building
- 6 Protective wear flaps on head curtain help to extend life of unit
- 7 24" yellow guides ensure accurate placement of trucks
- 8 Translucent polyethylene sheeting with UV inhibitors allows light into loading dock area
- 9 Foam filled edge creates a complete seal against truck
- 10 Galvanized trim angle will not rust
- 11 Double layer of protective fabric on bottom 24" of side curtains
- 12 Optional "REFLECTIVE GUIDES" to protect your investment
- 13 Optional Gusset available (strongly recommended)

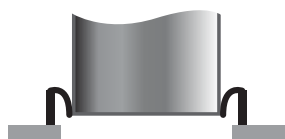
Conventional Seal



(Top View)

Foam pads protect against weather, but restricts access to the trailer opening.

Inflatable Shelter



(Top View)

Provides full access to the rear of the trailer.

Fabric & Colour Selection

Blue Giant can customize your dock seal with the ideal fabric for your application from a wide range of colours and fabrics available.

- 22 oz Hi-Tear Vinyl
- 32 oz Hi-Tear Vinyl
- 40 oz Hi-Tear Vinyl
- Hi-Performance Arctic Seal
- 16 oz Hi-Tear Hypalon
- 40 oz Hi-Performance Hypalon



85 Heart Lake Road South
 Brampton, Ontario, Canada L6W 3K2
 Phone: 905-457-3900 • Fax: 905-457-1509
www.BlueGiant.com

AUTHORIZED DISTRIBUTOR

BLUE GIANT EQUIPMENT CORPORATION