

PART NUMBER:
TLC24

PART NUMBER:
TLC24

JOB NUMBER:
NA

NA

A

BLUE GIANT EQUIPMENT CORP.

85 Heart Lake Road South
Brampton, Ontario, L6W 3K2
Tel: 905-457-3900
Fax: 905-457-5586



PROPRIETARY AND CONFIDENTIAL

THE INFORMATION CONTAINED IN THIS DRAWING IS THE SOLE PROPERTY OF BLUE GIANT EQUIPMENT CORPORATION. ANY REPRODUCTION IN PART OR AS A WHOLE WITHOUT THE WRITTEN PERMISSION OF BLUE GIANT EQUIPMENT CORPORATION IS PROHIBITED.

DIMENSIONS ARE IN INCHES
TOLERANCES:
FRACTIONAL 1/32
ANGULAR: MACH .5 BEND 2
ONE PLACE DECIMAL 0.015
TWO PLACE DECIMAL 0.010
THREE PLACE DECIMAL 0.005

THIRD ANGLE PROJECTION 

DESCRIPTION

TLC24

DWG. NO.

TLC24

FOR:

REF.

APPROX. WEIGHT (lb.):

SCALE: 1:4 SIZE **A**

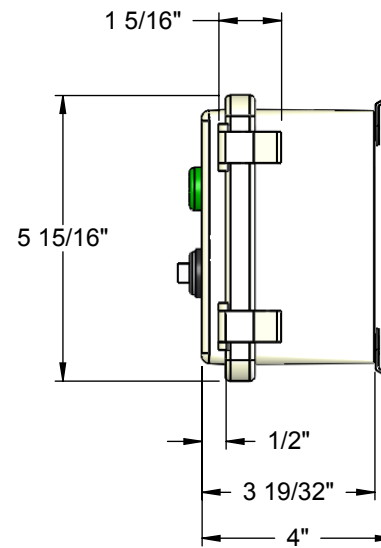
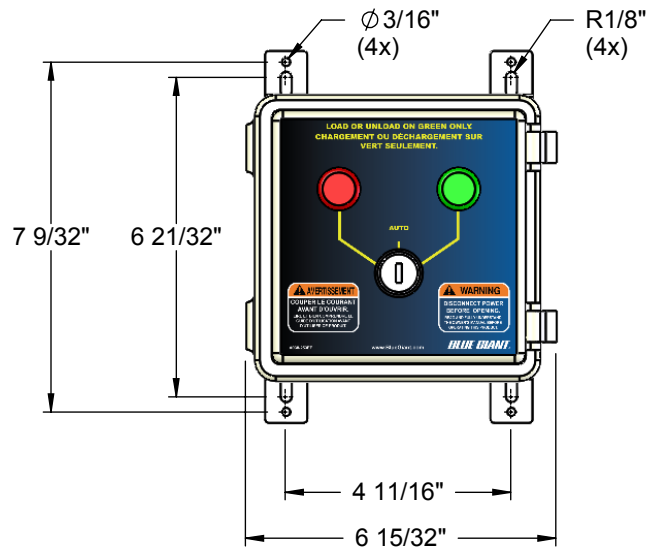
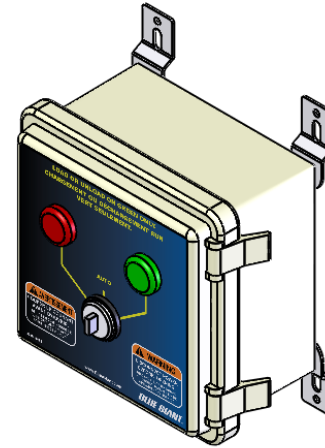
MATERIAL

MATERIAL NO

	NAME	SIGNATURE	DATE
DRAWN			Feb 04, 2010
DESIGN			Feb 04, 2010
ENG APPR.			Feb 04, 2010
MFG APPR.			Feb 04, 2010
Q.A.			Feb 04, 2010

COATING:

FINISH:



PART NUMBER:

PART NUMBER:
JOB NUMBER:

BLUE GIANT EQUIPMENT CORP.

85 Heart Lake Road South
Brampton, Ontario, L6W 3K2
Tel: 905-457-3900
Fax: 905-457-5586



PROPRIETARY AND CONFIDENTIAL

THE INFORMATION CONTAINED IN THIS DRAWING IS THE SOLE PROPERTY OF BLUE GIANT EQUIPMENT CORPORATION. ANY REPRODUCTION IN PART OR AS A WHOLE WITHOUT THE WRITTEN PERMISSION OF BLUE GIANT EQUIPMENT CORPORATION IS PROHIBITED.

DESCRIPTION: AUTOMATIC TRAFFIC LIGHTS CONTROLLER- 24VDC

DWG. NO: WD0037A

FOR:

REF.

APPROX. WEIGHT (lb)

SCALE: NA SIZE A

MATERIAL

MATERIAL NO

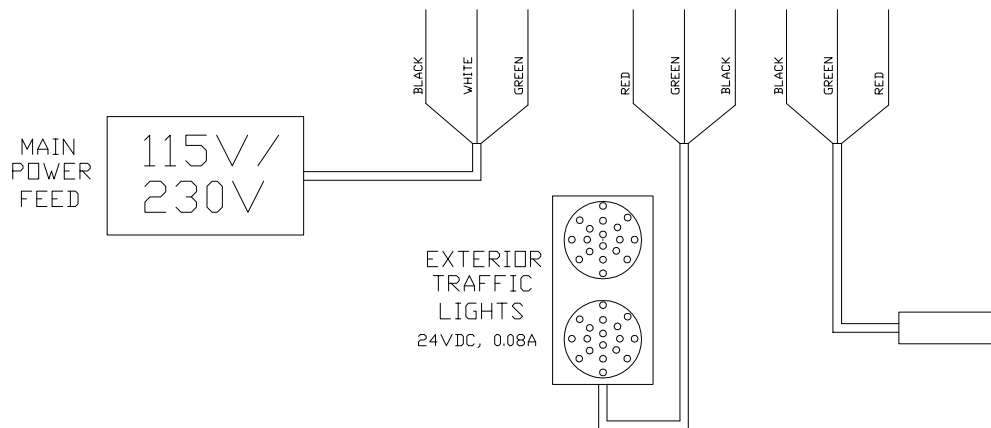
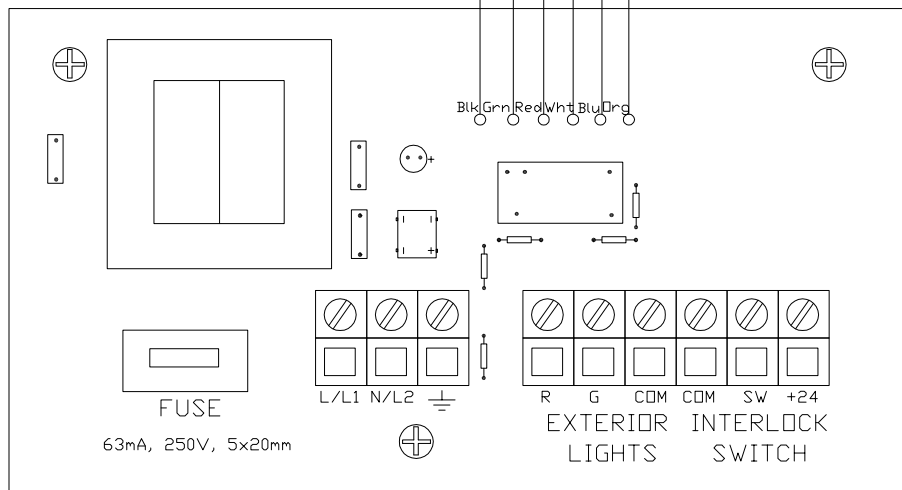
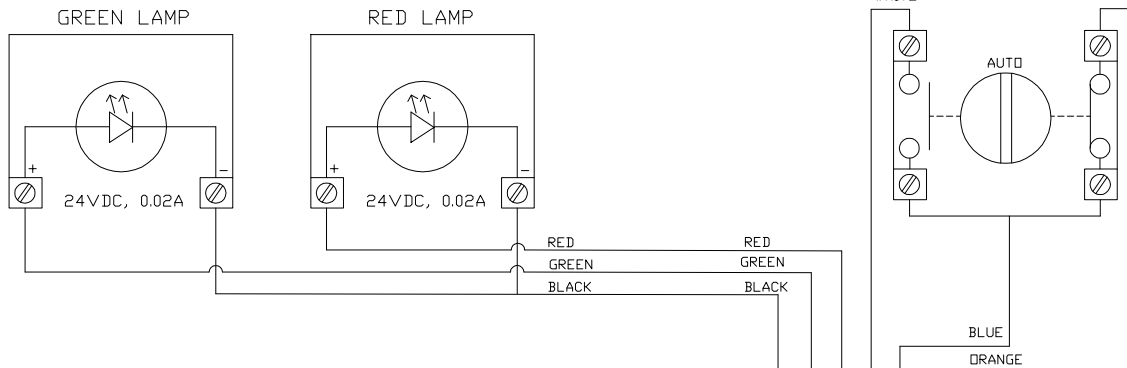
	NAME	SIGNATURE	DATE
DRAWN	J. DNOCHIE		
DESIGN			
ENG APPR.	G. IDN		
MFG APPR.			
Q.A.			

COMMENTS:

COATING:

FINISH:

SELECTOR SWITCH



WIRE COLOR LEGEND FOR SENSORS

NORTH AMERICAN	EUROPEAN	NOTES
BLACK	BLUE	COM
GREEN	BLACK	OUT
RED	BROWN	24V

REV	BY	REVISION DESCRIPTION	DATE	ECN NUMBER