



PARTS MANUAL

⚠ WARNING

DO NOT INSTALL, OPERATE OR SERVICE THIS PRODUCT UNLESS YOU HAVE READ AND FULLY UNDERSTOOD THE ENTIRE CONTENTS OF THIS MANUAL. FAILURE TO DO SO MAY RESULT IN PROPERTY DAMAGE, BODILY INJURY OR DEATH.

Catalog

ITEM#	DESCRIPTION	PAGE
Fig.1	Electrical appliance	2
Fig.2	Steering control system	4
Fig.3/4	Switch box assembly	6
Fig.5	Driving system	10
Fig.6	Gear box assembly	12
Fig.7	Drive motor	14
Fig.8	Brake assembly	16
Fig.9	Hydraulic system	18
Fig.10	Hydraulic power unit	20
Fig.11	Valve assembly	22
Fig.12	Oil pump	24
Fig.13	Frame	26
Fig.14	Frame	28
Fig.15	Frame	30
Fig.16	Frame	32
Fig.17	Balance wheel assembly	34
Fig.18	Balance wheel assembly	36
Fig.19	Single wheel assembly	38
Fig.20	Double wheel assembly	40
Fig.21	Compartment	42
Fig.22	Battery assembly	44
Fig.23	Battery assembly	46
Fig.24	Backrest	48

Fig. 1 Electrical appliance

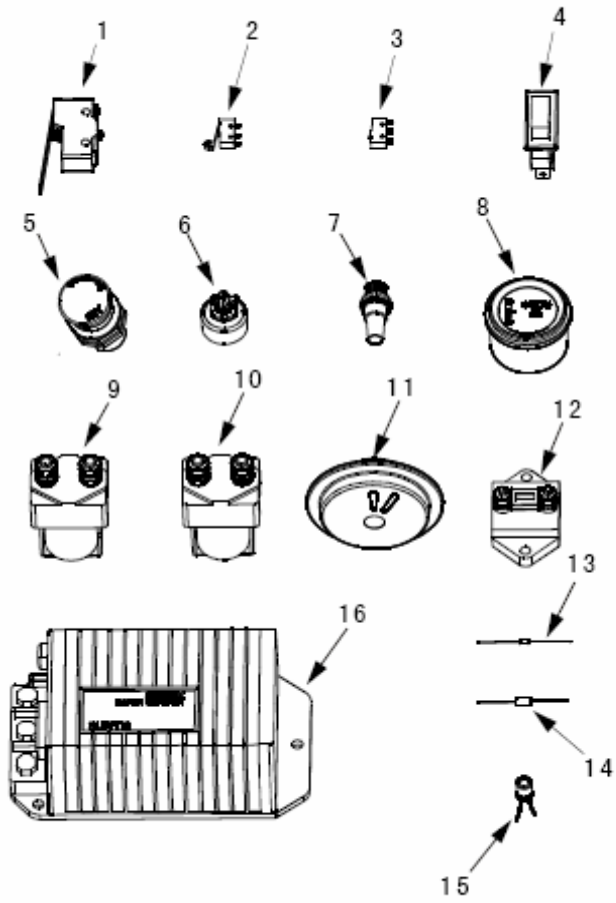


Fig. 1 Electrical appliance

ITEM #	PART#	NAME	#FOR ASSY.
1	1000407002	Switch	2
2	2000507003	Inching switch	2
3	2000507002	Inching switch	4
4	1000407001	Switch, disconnect	1
5	2000507008	Key	1
6	2000507007	Potentiometer	1
7	1000407004	Fuse	1
8	2001116001	Battery indicator	1
9	2000407002	Contact	1
10	1000307001	Contact	1
11	2000507006	Horn	1
12	2000407003	Fuse	1
13	1000406002	Diode	2
14	1000406003	Diode	1
15	1000406004	Capacitor	1
16	2000406002	Controller	1

Fig. 2 Steering control system

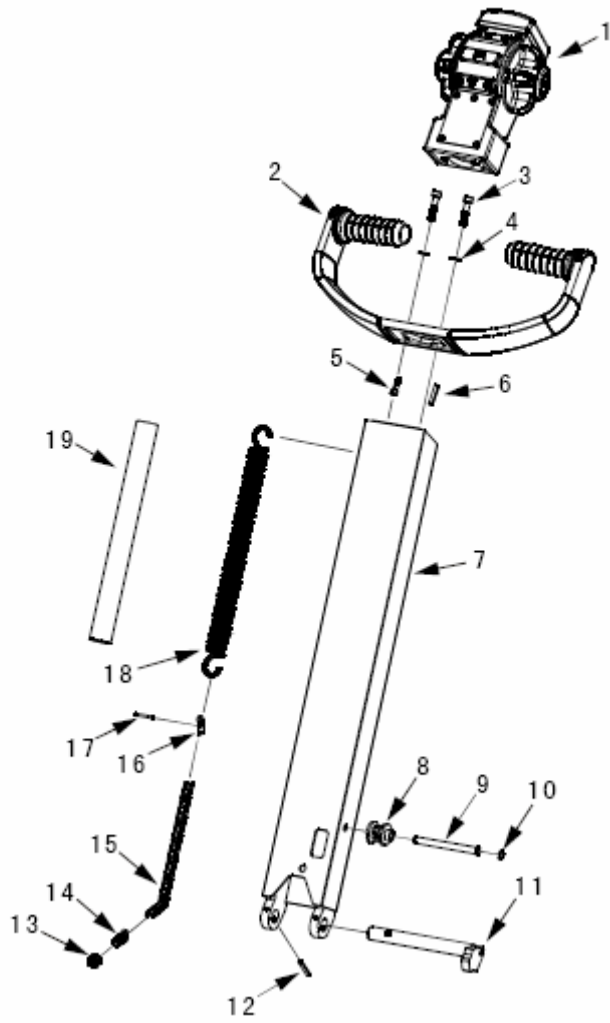


Fig. 2 Steering control system

ITEM #	PART#	NAME	#FOR ASSY.
1	1000500001	Switch box assembly	1
2	2000517001	Handle	1
3	2000731003	Screw	2
4	2000537001	Washer	2
5	1000538002	Screw	1
6	1000536001	Pin	1
7	1000517001	Handle	1
8	1000501002	Sheave	1
9	1000513001	Shaft	1
10	1000527001	Ring	2
11	1001013001	Cam	1
12	1001036001	Pin	1
13	1000239002	Nut	1
14	1000525001	Screw	1
15	1000504003	Chain	1
16	1000535001	Link	1
17	1000536002	Pin	1
18	1000419001	Spring	1
19	1000504004	Tube	1

Fig. 3 Switch box assembly

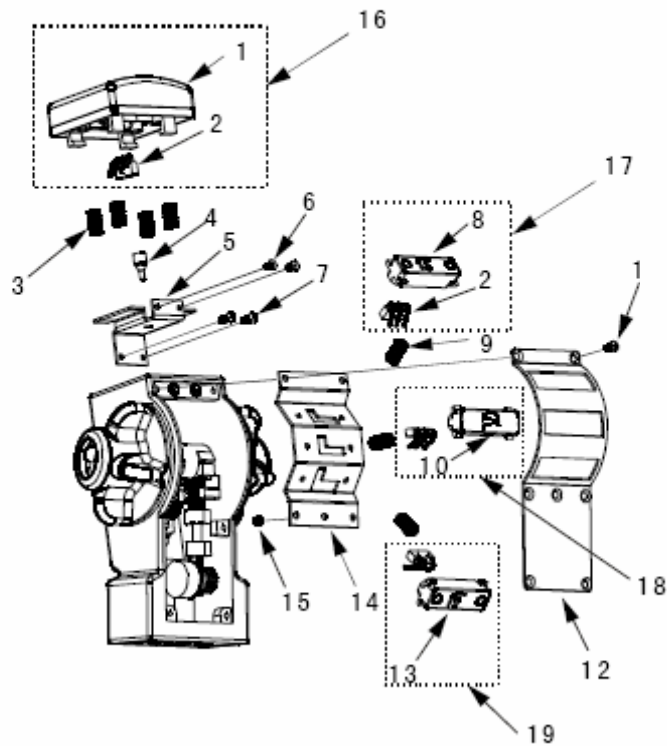


Fig. 3 Switch box assembly

ITEM #	PART#	NAME	#FOR ASSY.
1	2000540007	Emergency reverser button	1
2	2000507002	Inching switch	4
3	2000519002	Spring	4
4	2000540001	Rubber contact	1
5	2000518001	Fastening plate	1
6	2000542003	Screw	2
7	2000441002	Screw	2
8	2000540002	Button for lifting	1
9	2000519003	Spring	6
10	1000440001	Horn button	1
11	2000542003	Screw	7
12	2000509001	Cover	1
13	2000540003	Button for lowering	1
14	2000518002	Supporting plate	1
15	2000539001	Nut	1
16	1000540001	Emergency reverser button	1
17	1000540002	Button for lifting	1
18	1000540004	Horn button	1
19	1000540003	Button for lowering	1

Fig. 4 Switch box assembly

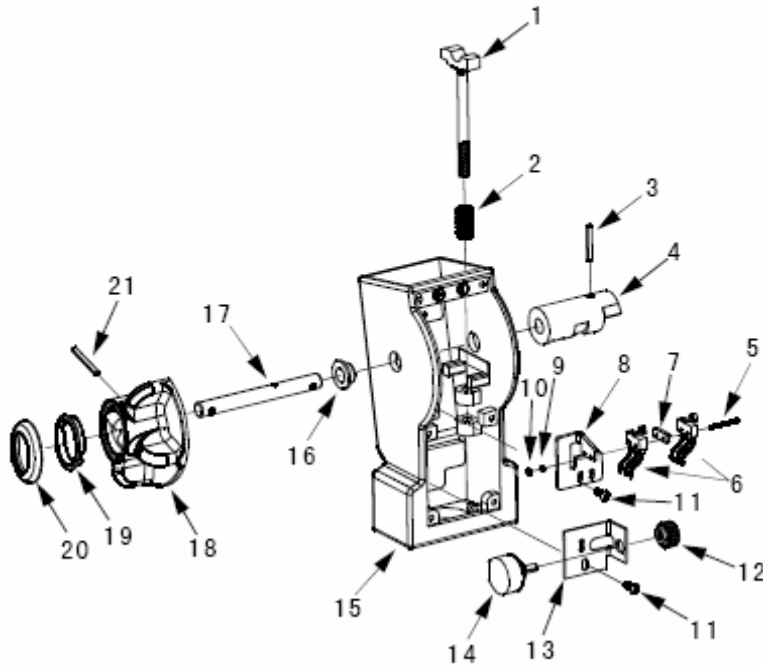


Fig. 4 Switch box assembly

ITEM #	PART#	NAME	#FOR ASSY.
1	2000501004	Rack	1
2	2000519004	Spring	1
3	2000536011	Spring pin	1
4	2000501005	Cam	1
5	2000538005	Screw	2
6	2000507003	Inching switch	2
7	2000535001	Isolate block	1
8	2000518003	Fastening bracket	1
9	1000504001	Washer	4
10	2000539002	Nut	2
11	2001141005	Screw	4
12	2000521001	Gear	1
13	2000518004	Fastening bracket	1
14	2000507007	Potentiometer	1
15	1000529001	Switch box	1
16	2000512001	Copper sleeve	2
17	2000513002	Cam shaft	1
18	2000540005	Control knob	2
19	2000535003	Connecting washer	2
20	2000534001	Cover	2
21	2000536012	Spring pin	2

Fig. 5 Driving system

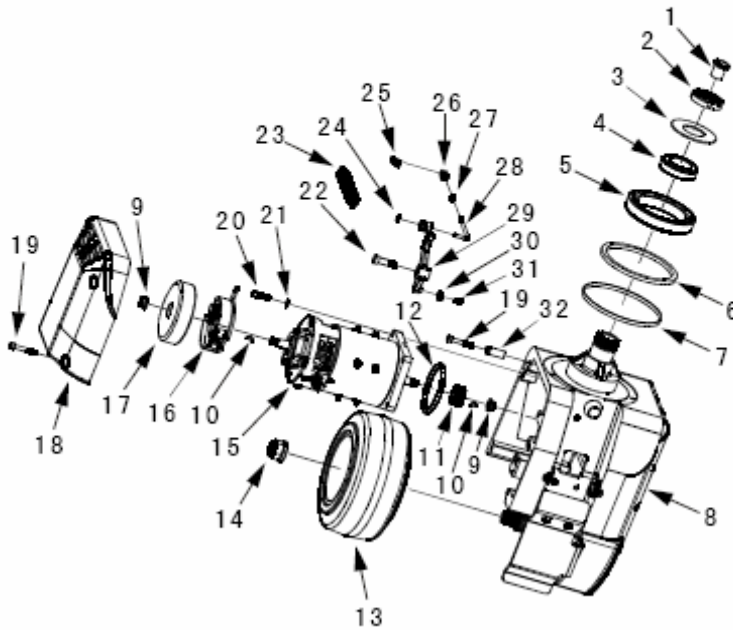


Fig. 5 Driving system

ITEM #	PART#	NAME	#FOR ASSY.
1	1000134001	Guard	1
2	1000125001	Nut	1
3	1000137001	Washer	1
4	1000220001	Bearing	1
5	1000220002	Bearing	1
6	1000112001	Seal	1
7	1000134003	Ring	1
8	1000100002	Transmission assembly	1
9	2001425002	Nut	2
10	1001035002	Key	2
11	1000121001	Gear	1
12	1000328001	O-ring	1
13	1000332003	Steering wheel	1
14	1000325002	Nut	1
15	1000300006	Motor	1
16	1001000001	Brake assembly	1
17	1001010001	Drum	1
18	1000908003	Cover	1
19	1001031002	Screw	5
20	1001031001	Screw	4
21	1000137003	Washer	4
22	1001038001	Bolt	1
23	1001019001	Spring	1
24	1001035003	Retainer	1
25	1001035001	Link	1
26	1001018001	Yoke assembly	1
27	1001039001	Nut	1
28	1001022001	Rod	1
29	1001023001	Brake arm	1
30	1001020001	Bearing	1
31	1001041001	Screw	1
32	1001012001	Anchor	1

Fig. 6 Gear box assembly

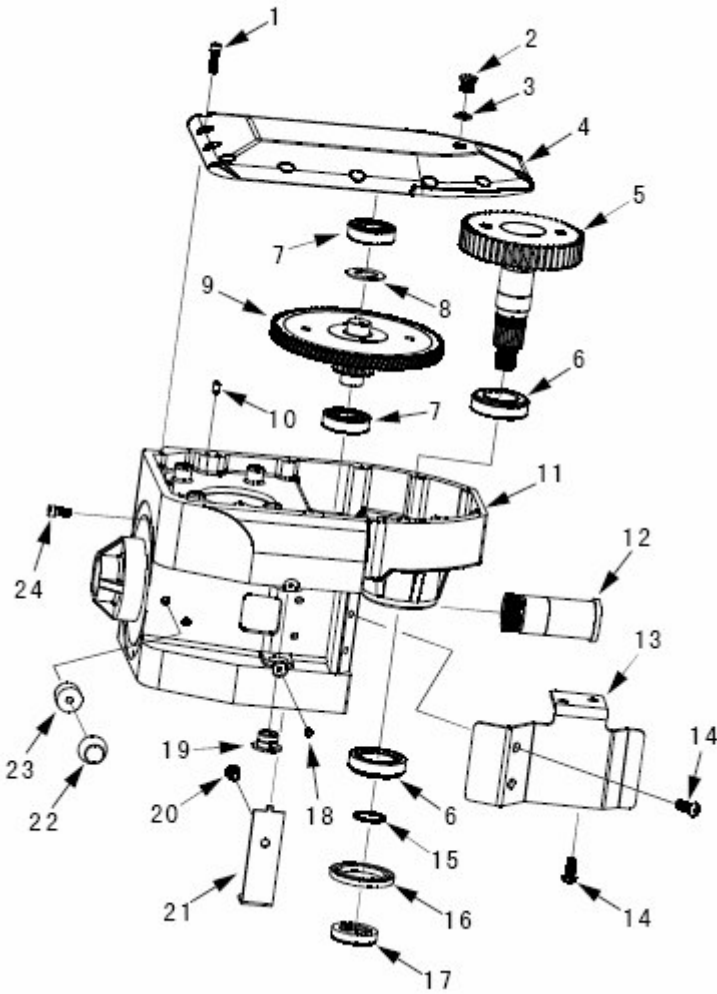


Fig. 6 Gear box assembly

ITEM #	PART#	NAME	#FOR ASSY.
1	1000131001	Screw	14
2	2000625001	Screw	2
3	2000603010	Washer	2
4	1000111001	Cover	1
5	1000121002	Set, gear	1
6	1000120001	Bearing	2
7	1000120002	Bearing	2
8	1000137002	Washer	1
9	1000121003	Set, idler	1
10	1000133001	Pin	2
11	1000126001	Case	1
12	1000112004	Fixed sleeve	1
13	1000134004	Plate	1
14	1000141001	Screw	4
15	1000328003	O-ring	1
16	1000105001	Seal	1
17	1000112003	Ring	1
18	2001204001	Spray nozzle	2
19	1000112002	Bushing	2
20	1000441003	Screw	1
21	1000435002	Bracket	1
22	1000134002	Bumper	1
23	2000712003	Rubber block	1
24	1001031003	Screw	2

Fig. 7 Drive motor

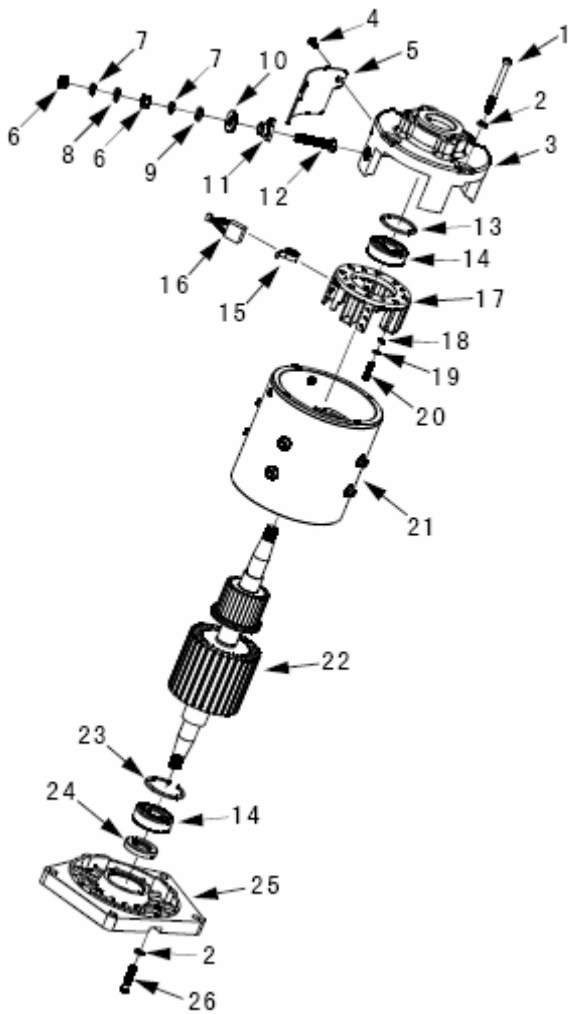


Fig. 7 Drive motor

ITEM #	PART#	NAME	#FOR ASSY.
1	1001430003	Screw	4
2	1001437003	Circlip	8
3	1001411001	cover	1
4	2001141005	Screw	2
5	1001409001	Shield	1
6	2001425003	Nut	4
7	2001037001	Circlip	4
8	2001437003	Washer	2
9	2001437002	Washer	2
10	1001434001	Washer	2
11	1001434002	Washer	2
12	2001425001	Screw	2
13	1001437002	Wave washer	1
14	2001420001	Bearing	2
15	2001419001	Spring	4
16	2001407001	Brush	4
17	2001418001	Carbon brush socket	1
18	2001437004	Washer	4
19	2001437005	Circlip	4
20	2001441001	Screw	4
21	1001400002	Stator	1
22	1001400003	Rotor	1
23	2001427002	Snip ring	1
24	1001405001	Seal	1
25	1001411002	Cover	1
26	1001430002	Screw	4

Fig. 8 Brake assembly

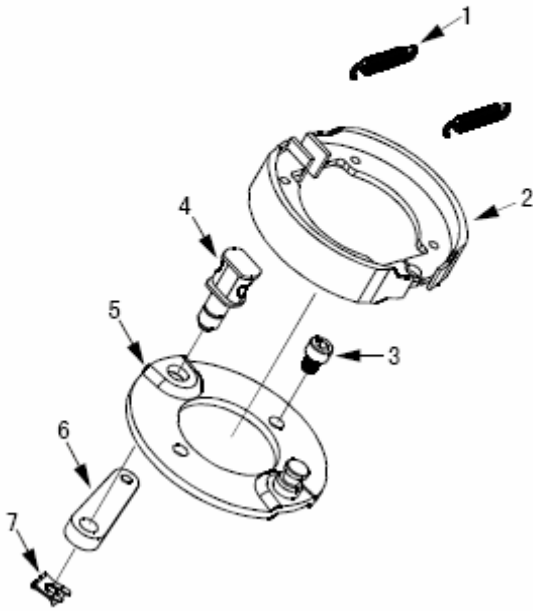


Fig. 8 Brake assembly

ITEM #	PART#	NAME	#FOR ASSY.
1	1001019002	Spring	2
2	1001002001	Shoe	1
3	1001031003	Screw	2
4	1001002002	Cam	1
5	1001010002	Plate	1
6	1001023002	Lever	1
7	1001035004	Clip	1

Fig. 9 Hydraulic system

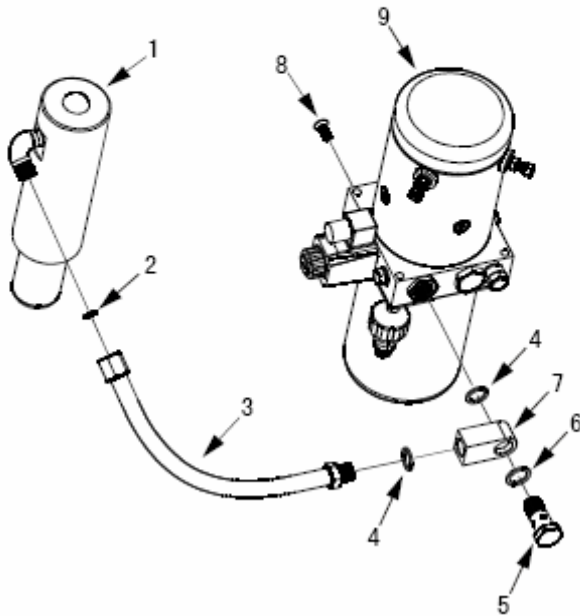


Fig. 9 Hydraulic system

ITEM #	PART#	NAME	#FOR ASSY.
1	1000600021	Cylinder assembly	1
2	1000628002	O-ring	1
3	1000614002	Soft oil pipe	1
4	2000603011	Washer	2
5	2000603016	Joint	1
6	2000637004	Washer	1
7	2000603017	Joint	1
8	2000942001	Screw	4
9	1000600004	Hydraulic power unit	1

Fig. 10 Hydraulic power unit

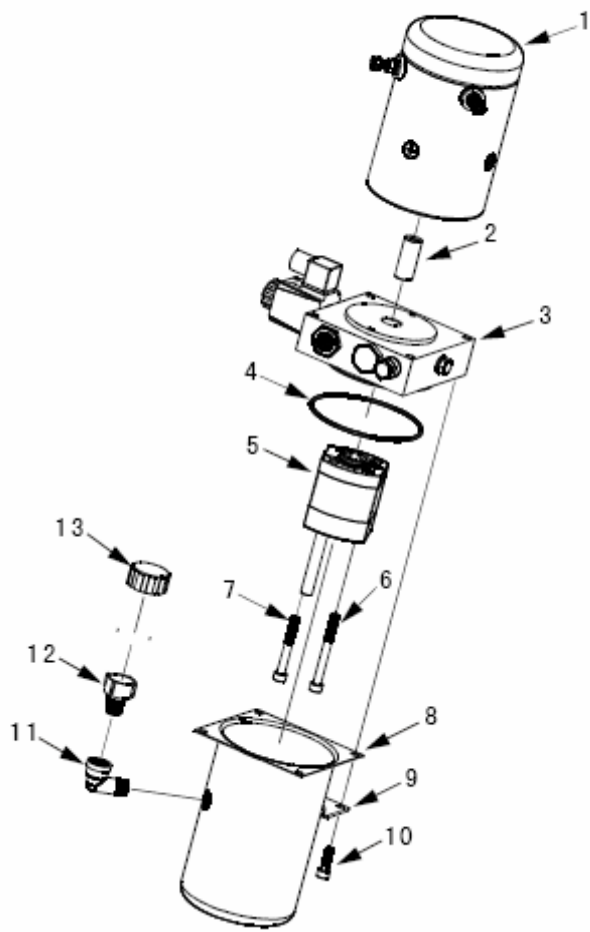


Fig. 10 Hydraulic power unit

ITEM #	PART#	NAME	#FOR ASSY.
1	1001400001	Hydraulic motor	1
2	2000612003	Connecting bearing sleeve	1
3	1000600001	Valve assembly	1
4	1000628001	O-ring	1
5	1000600002	Oil pump	1
6	1000631001	Screw	2
7	1000631002	Screw	2
8	1000626001	Oil tank	1
9	1000609001	Washer	4
10	1000741001	Screw	4
11	1000635001	Joint	1
12	1000605001	Oil plug	1
13	1000605003	Cover	1

Fig.11 Valve assembly

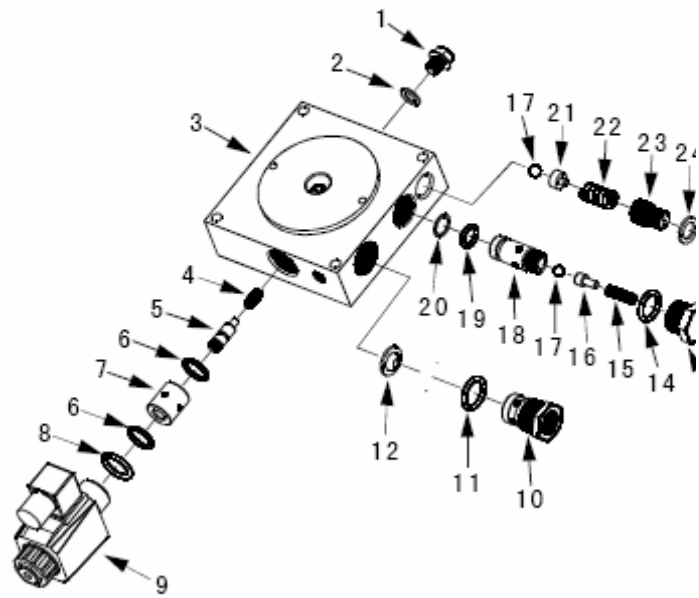


Fig.11 Valve assembly

ITEM #	PART#	NAME	#FOR ASSY.
1	2000630001	Bolt	2
2	2000637001	Washer	2
3	1000603001	Valve body	1
4	2000619001	Spring	1
5	2000603003	Core of slide valve	1
6	2000628007	O-ring	2
7	2000603002	Slide valve sleeve	1
8	2000628008	O-ring	1
9	2000603018	Electromagnetic coil	1
10	2000625002	Plug	1
11	2000628013	O-ring	1
12	2000634002	Filter net	1
13	2000603005	Valve holder	1
14	2000628009	O-ring	1
15	2000619003	Spring	1
16	2000613001	Spring socket	1
17	2000604001	Steel ball	2
18	2000603004	Valve sleeve	1
19	2000628010	O-ring	1
20	2000634001	O-ring protection washer	1
21	2000603009	Spring socket	1
22	2000619002	Spring	1
23	2000603007	Pressure adjusting bolt	1
24	2000637002	Washer	1
25	2000603008	Nut	1

Fig. 12 Oil pump

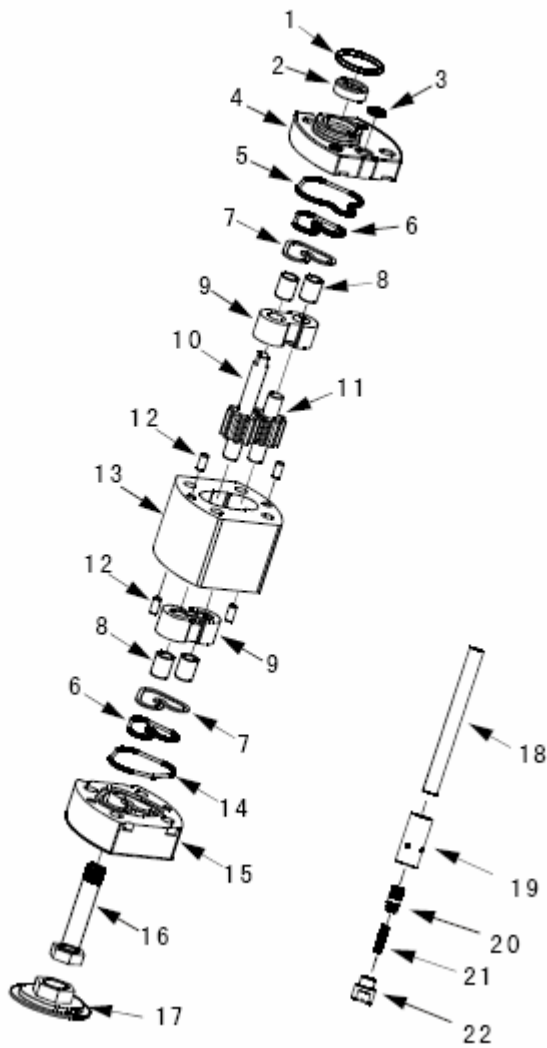


Fig. 12 Oil pump

ITEM #	PART#	NAME	#FOR ASSY.
1	2000628001	O-ring	1
2	2000605001	Seal washer	1
3	2000628002	O-ring	1
4	2000611005	Oil out cover	1
5	2000628003	O-ring	1
6	2000628004	O-ring	2
7	2000605002	O-ring protection washer	2
8	2000612001	Bearing	4
9	2000612007	Oil discharge block	2
10	1000621001	Drive gear	1
11	1000621002	Driven gear	1
12	2000633001	Pin	4
13	1000603006	Pump body	1
14	2000628005	O-ring	1
15	2000611006	Oil feed cover	1
16	4000625002	Oil suction pipe	1
17	6000634001	Filter	1
18	6000612001	Return pipe	1
19	6000603009	Valve sheath	1
20	4000603008	Valve core	1
21	2000619004	Spring	1
22	2000625004	Screw cap	1

Fig. 13 Frame

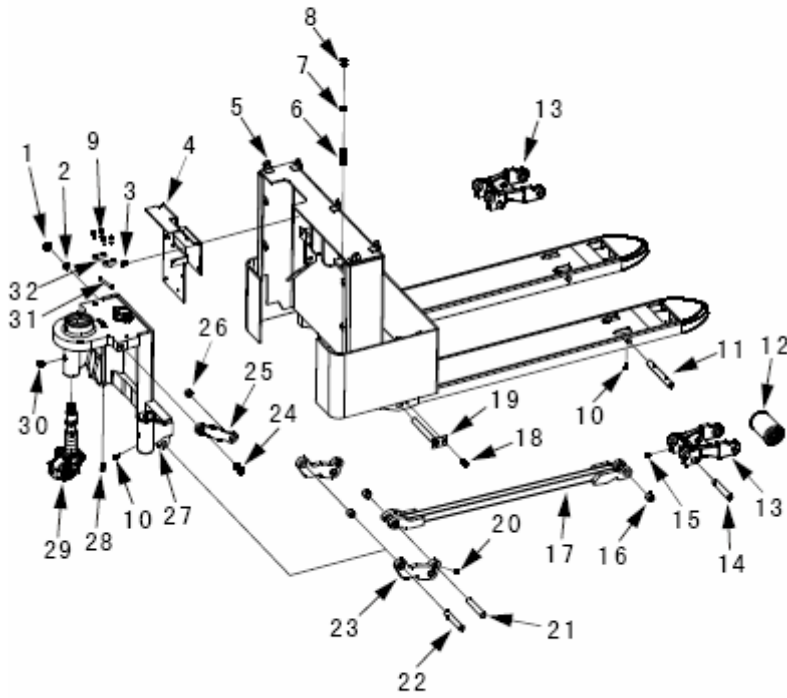


Fig. 13 Frame

ITEM #	PART#	NAME	#FOR ASSY.
1	1000239001	Nut	2
2	1000237001	Circlip	2
3	2000141001	Screw	3
4	1000409001	Electric panel	1
5	1000724001	Frame	1
6	1000725001	Bolt	2
7	1000739001	Nut	2
8	1000739002	Nut	2
9	1001031003	Screw	4
10	1000325001	Screw	2
11	1000213005	Shaft	2
12	1000300003	Single wheel assembly	2
13	1000201002	Wheel fork	2
14	1000213004	Shaft	2
15	1000225003	Screw	2
16	1000212001	Compound bearing	16
17	1000201001	Rod	2
18	1000741001	Screw	2
19	1000213003	Pin	2
20	1000225002	Screw	2
21	1000213002	Shaft	2
22	1000213001	Shaft	2
23	1000223002	Link	4
24	1000225001	Screw	4
25	1000223003	Link	2
26	1000212002	Compound bearing	4
27	1000224006	Carrier frame	1
28	1001031003	Screw	2
29	1000300008	Balance wheel assembly	2
30	1000325005	Screw	2
31	1000813001	Shaft	1
32	1000802001	Covering plate	2

Fig. 14 Frame

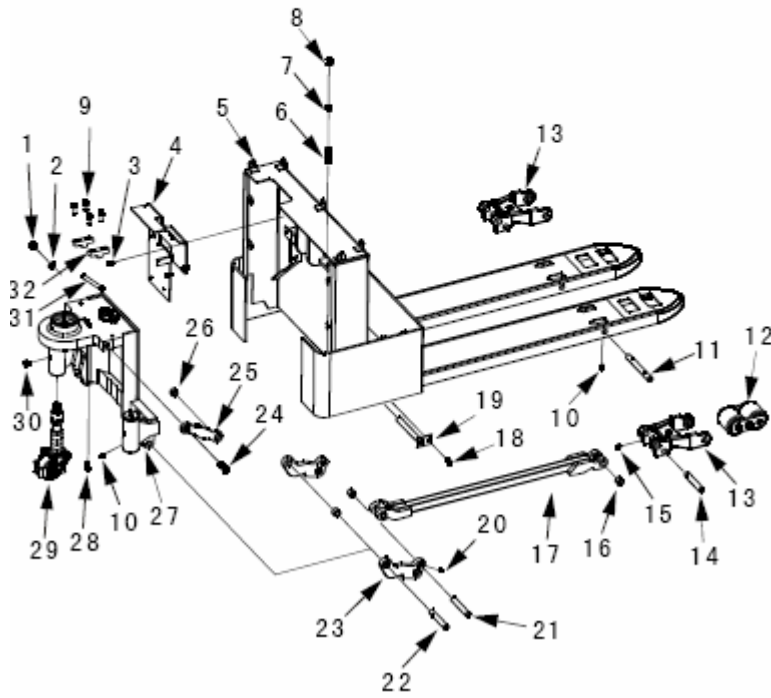


Fig. 14 Frame

ITEM #	PART#	NAME	#FOR ASSY.
1	1000239001	Nut	2
2	1000237001	Circlip	2
3	2000141001	Screw	3
4	1000409001	Electric panel	1
5	1000724003	Frame	1
6	1000725001	Bolt	2
7	1000739001	Nut	2
8	1000739002	Nut	2
9	1001031003	Screw	4
10	1000325001	Screw	2
11	1000213005	Shaft	2
12	1000300004	Double wheel assembly	2
13	1000201002	Wheel fork	1
14	1000213004	Shaft	2
15	1000225003	Screw	2
16	1000212001	Compound bearing	16
17	1000201005	Rod	2
18	1000741001	Screw	2
19	1000213003	Pin	2
20	1000225002	Screw	2
21	1000213002	Shaft	2
22	1000213001	Shaft	2
23	1000223002	Link	4
24	1000225001	Screw	4
25	1000223003	Link	2
26	1000212002	Compound bearing	4
27	1000224002	Carrier frame	1
28	1001031003	Screw	2
29	1000300008	Balance wheel assembly	2
30	1000325005	Screw	2
31	1000813001	Shaft	1
32	1000802001	Covering plate	2

Fig. 15 Frame

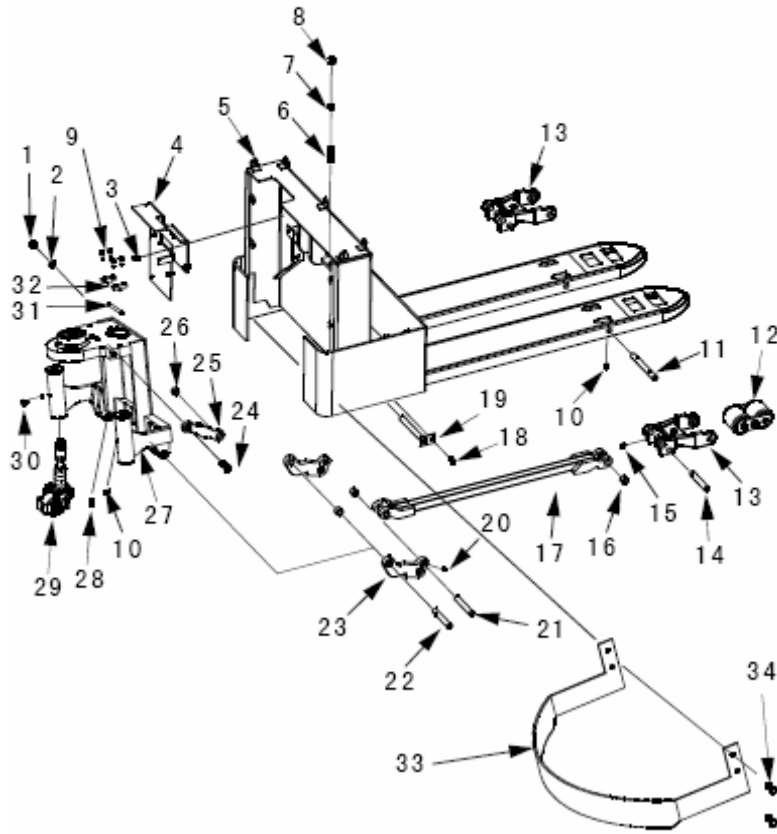


Fig. 15 Frame

ITEM #	PART#	NAME	#FOR ASSY.
1	1000239001	Nut	2
2	1000237001	Circlip	2
3	2000141001	Screw	3
4	1000409001	Electric panel	1
5	1000724003	Frame	1
6	1000725001	Bolt	2
7	1000739001	Nut	2
8	1000739002	Nut	2
9	100103103	Screw	4
10	1000325001	Screw	2
11	1000213005	Shaft	2
12	1000300004	Double wheel assembly	2
13	1000201002	Wheel fork	1
14	1000213004	Shaft	2
15	1000225003	Screw	2
16	1000212001	Compound bearing	16
17	1000201005	Rod	2
18	1000741001	Screw	2
19	1000213003	Pin	2
20	1000225002	Screw	2
21	1000213002	Shaft	2
22	1000213001	Shaft	2
23	1000223002	Link	4
24	1000225001	Screw	4
25	1000223003	Link	2
26	1000212002	Compound bearing	4
27	1000224002	Carrier frame	1
28	1001031003	Screw	2
29	1000300008	Balance wheel assembly	2
30	1000325005	Screw	2
31	1000813001	Shaft	1
32	1000802001	Covering plate	2
33	1000909002	Protect frame	1
34	2000541003	Screw	2

Fig. 16 Frame

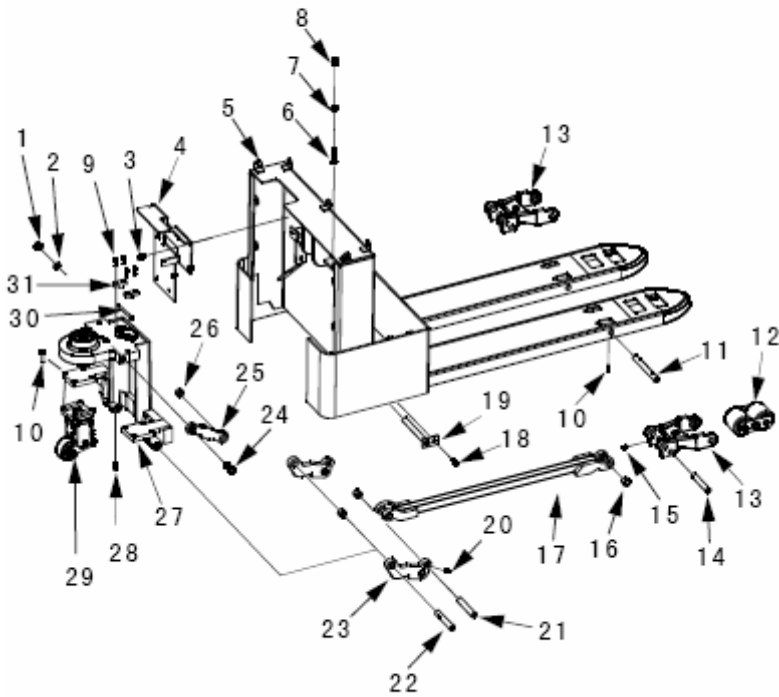


Fig. 16 Frame

ITEM #	PART#	NAME	#FOR ASSY.
1	1000239001	Nut	2
2	1000237001	Circlip	2
3	2000141001	Screw	3
4	1000409001	Electric panel	1
5	1000724003	Frame	1
6	1000725001	Bolt	2
7	1000739001	Nut	2
8	1000739002	Nut	2
9	1001031003	Screw	4
10	1000325001	Screw	2
11	1000213005	Shaft	2
12	1000300004	Double wheel assembly	2
13	1000201002	Wheel fork	1
14	1000213004	Shaft	2
15	1000225003	Screw	2
16	1000212001	Compound bearing	16
17	1000201005	Rod	2
18	1000741001	Screw	2
19	1000213003	Pin	2
20	1000225002	Screw	2
21	1000213002	Shaft	2
22	1000213001	Shaft	2
23	1000223002	Link	4
24	1000225001	Screw	4
25	1000223003	Link	2
26	1000212002	Compound bearing	4
27	1000224009	Carrier frame	1
28	1001031003	Screw	2
29	1000300012	Balance wheel assembly	2
30	1000813001	Shaft	1
31	1000802001	Covering plate	2

Fig. 17 Balance wheel assembly

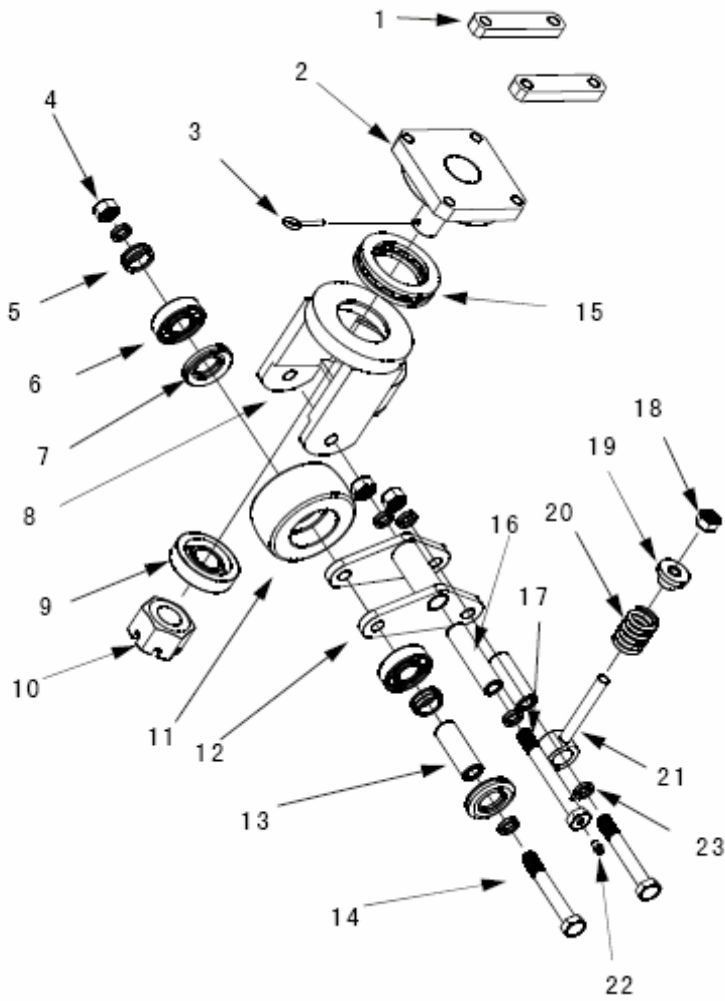


Fig. 17 Balance wheel assembly

ITEM #	PART#	NAME	#FOR ASSY.
1	1000335001	Block	2
2	1000318009	Bush socket	1
3	1000304004	Spring pin	1
4	1000319001	Nut	3
5	2001212001	Ring	2
6	1000320001	Bearing	2
7	2001205001	Seal	2
8	1000318010	Wheel bracket	1
9	1000320005	Bearing	1
10	1000339004	Nut	1
11	1000332002	Wheel	1
12	1000309001	Rotary shaft	1
13	1000312002	Tube	2
14	1000330001	Screw	2
15	1000320006	Bearing	1
16	1000312009	Baffle bush	1
17	1000325006	Screw	1
18	1000239002	Nut	1
19	1000311002	Spring socket	1
20	1000319004	Spring	1
21	1000325007	Adjust bolt	1
22	2001204001	Oil feed	1

Fig. 18 Balance wheel assembly

Fig. 18 Balance wheel assembly

ITEM #	PART#	NAME	#FOR ASSY.
1	1000319001	Spring	1
2	1000312001	Spring socket	1
3	1000304003	Steel ball	1
4	1000312006	Compound bearing	2
5	1000312007	Space sleeve	1
6	1000318001	Wheel bracket	1
7	2001230001	Screw	1
8	1000318002	Guard	2
9	2001212001	Ring	2
10	2001205001	Seal	2
11	1000312002	Tube	1
12	1000320001	Bearing	2
13	1000332002	Wheel	1
14	1000339001	Nut	1

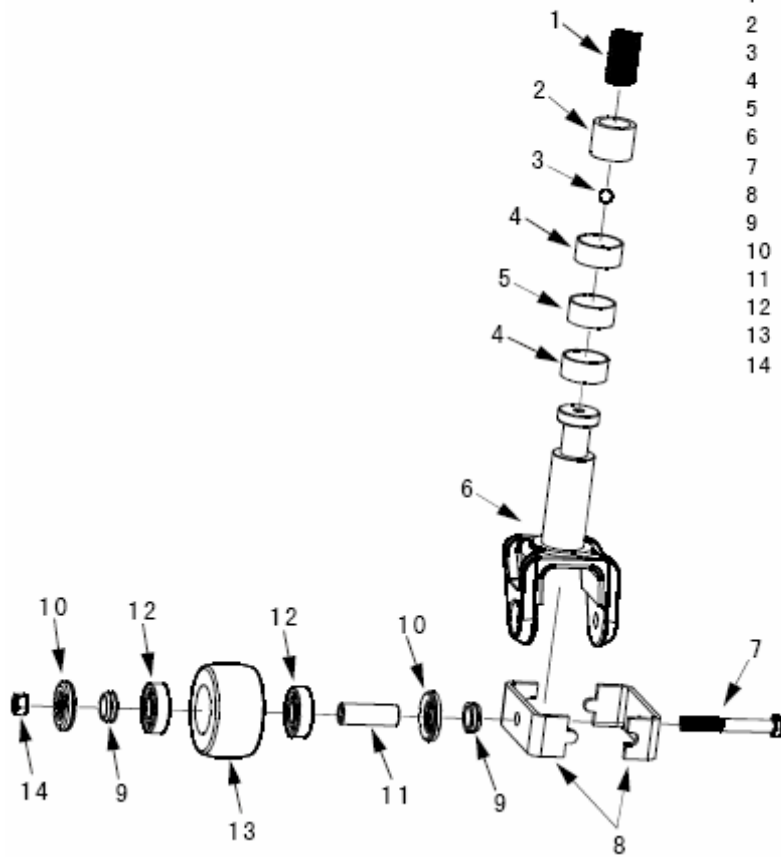


Fig. 19 Single wheel assembly

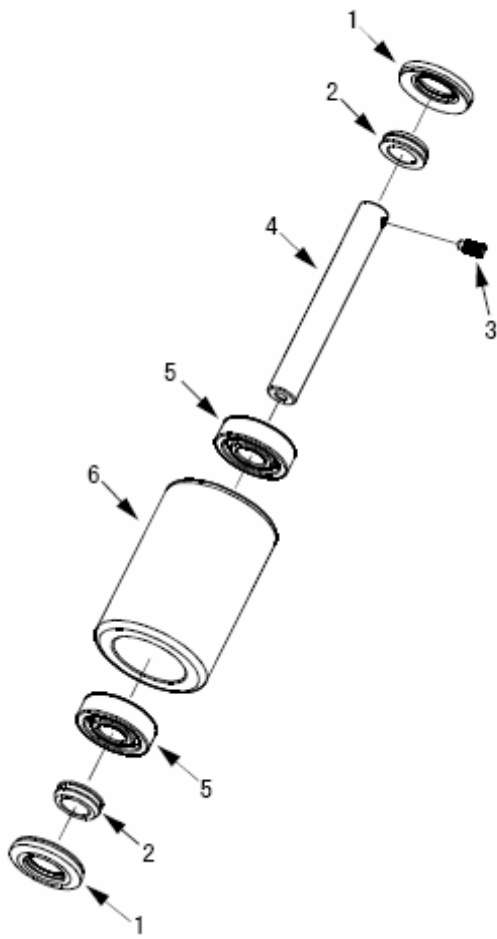
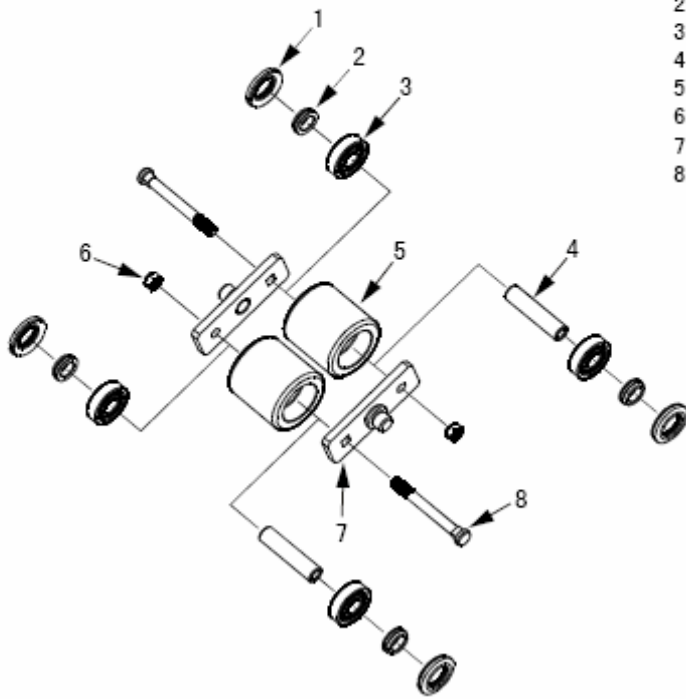


Fig. 19 Single wheel assembly

ITEM #	PART#	NAME	#FOR ASSY.
1	2000305001	Seal	2
2	2000312001	Ring	2
3	1000225002	Screw	1
4	1000313001	Shaft	1
5	1000320002	Bearing	2
6	1000332001	Loading wheel	1

Fig. 20 Double wheel assembly

Fig. 20 Double wheel assembly



ITEM #	PART#	NAME	#FOR ASSY.
1	2000305001	Seal	4
2	2000312001	Ring	4
3	1000320002	Bearing	4
4	1000312003	Tube	2
5	1000332004	Loading wheel	2
6	1000339002	Nut	2
7	1000302001	Plate	2
8	1000325003	Screw	2

Fig. 21 Compartment

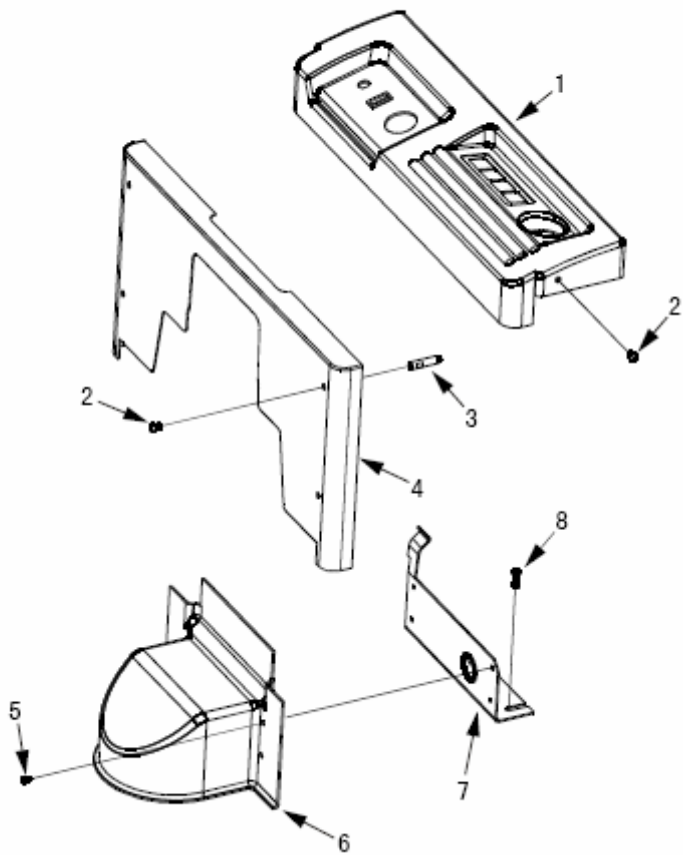
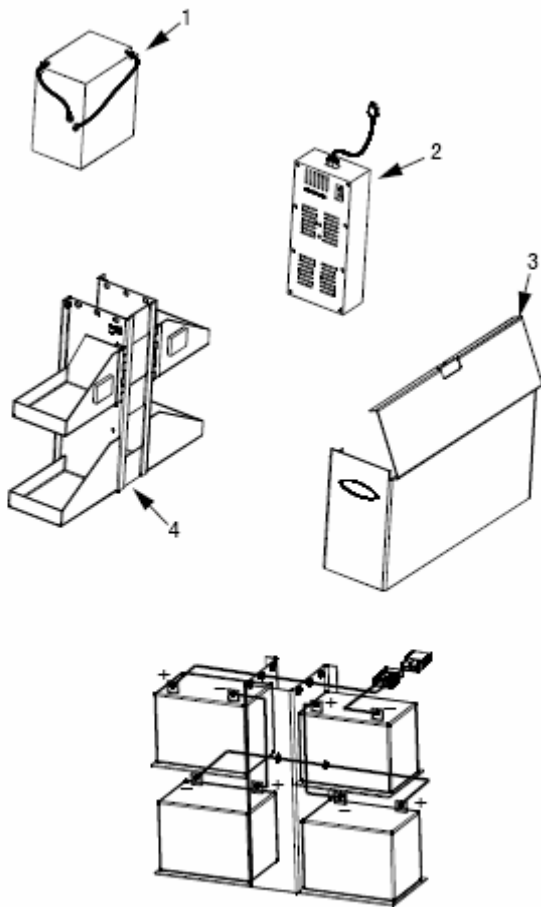


Fig. 21 Compartment

ITEM #	PART#	NAME	#FOR ASSY.
1	1000908001	Cover	1
2	1000941001	Stud	8
3	1000925001	Plug	4
4	1000909001	Shield	1
5	1000441005	Screw	4
6	1000908002	Transmission shield	1
7	1000418002	Plate	1
8	1000441002	Screw	2

Fig. 22 Battery assembly



1. Each battery voltage is 6V.
2. The output voltage with four batteries in series is 24V.

Fig. 22 Battery assembly

ITEM #	PART#	NAME	#FOR ASSY.
1	1001100004	Battery	4
2	1001100001	Battery charger (220V, 50Hz)	1
3	1001109001	Cover	1
4	1001118001	Battery box	1

Fig. 22 Battery assembly

ITEM #	PART#	NAME	#FOR ASSY.
1	1001100004	Battery	4
2	1001100002	Battery charger (110V, 60Hz)	1
3	1001109001	Cover	1
4	1001118001	Battery box	1

Fig. 23 Battery assembly

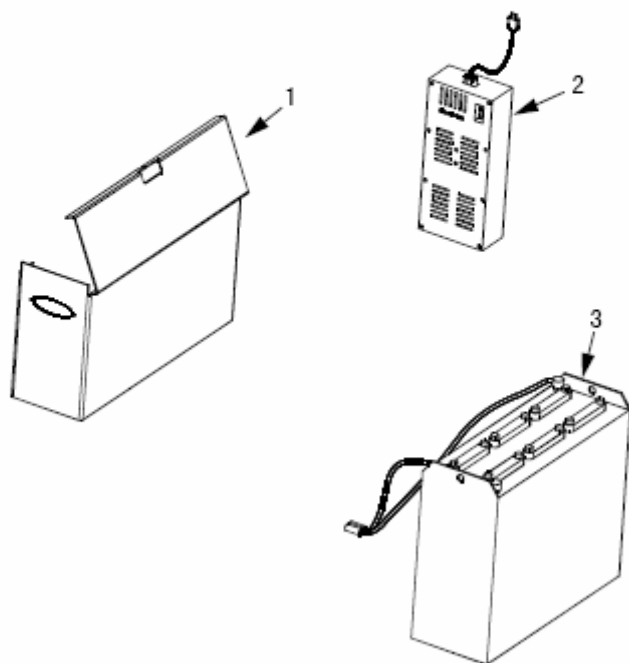


Fig. 24 Battery assembly

ITEM #	PART#	NAME	#FOR ASSY.
1	1001109001	Cover	1
2	1001100001	Battery charger (220V, 50Hz)	1
3	1001100003	Battery pack	1

Fig. 24 Battery assembly

ITEM #	PART#	NAME	#FOR ASSY.
1	1001109001	Cover	1
2	1001100002	Battery charger (110V, 60Hz)	1
3	1001100003	Battery pack	1

Fig. 24 Backrest

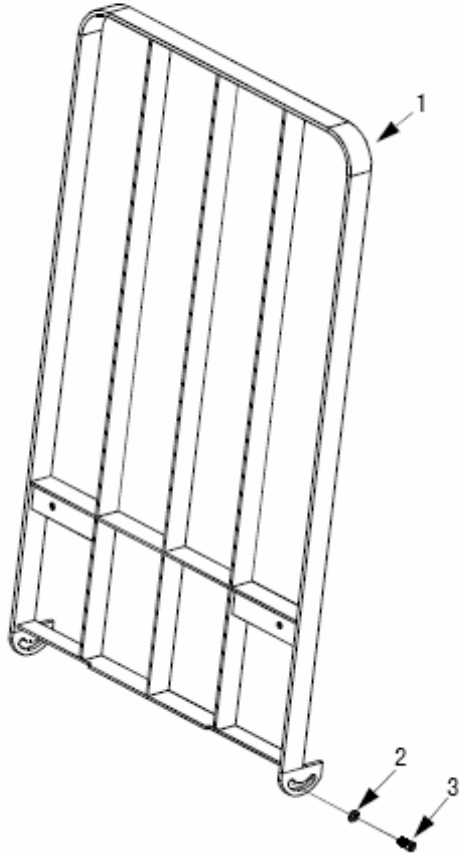


Fig. 24 Backrest

ITEM #	PART#	NAME	#FOR ASSY.
1	1001318001	Backrest	1
2	2000937002	Washer	4
3	2001231001	Screw	4



85 Heart Lake Road South
Brampton, Ontario, Canada L6W 3K2
Phone: 905-457-3900 • Fax: 905-457-2313
www.BlueGiant.com

BLUE GIANT EQUIPMENT CORPORATION