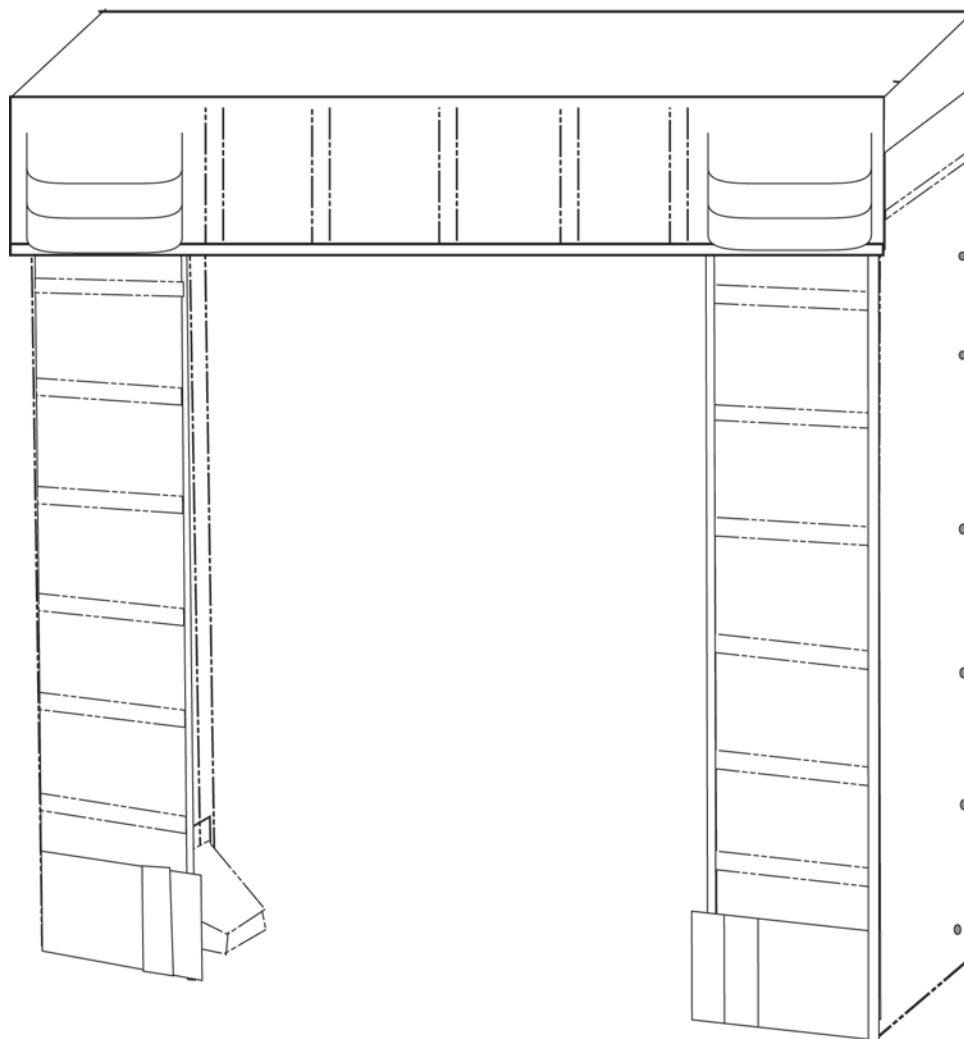


## **INSTALLATION INSTRUCTIONS**

**Note:** Check all shipments carefully before releasing carrier. Notify carrier immediately upon discovery of any heretofore concealed damaged, missing or incorrect parts.



**! WARNING**

**DO NOT INSTALL THIS PRODUCT UNLESS YOU HAVE READ AND FULLY UNDERSTOOD THE ENTIRE CONTENTS OF THIS MANUAL. FAILURE TO DO SO MAY RESULT IN PROPERTY DAMAGE, BODILY INJURY OR DEATH.**

# INSTALLATION INSTRUCTIONS

## **WARNING**

**Do not attempt to lift without suitable hoisting equipment capable of lifting as much as 1000 lbs. Do not work beneath a raised unsupported object. Follow all hoisting safety requirements. Failure to do so can cause serious injury or death.**

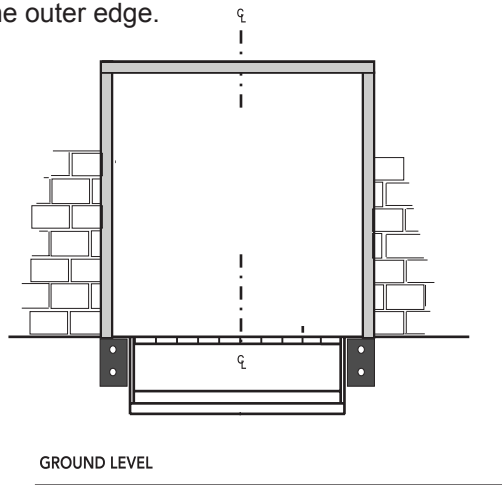
**The following information is essential for proper installation**

- A. Work safe. Do not work under and/or around the loading dock area without first placing adequate barriers to prevent vehicle traffic from entering the work area.
- B. Truck shelter requires a structurally sound building wall.
- C. Install vertical side frames first.
- D. Use proper anchors for attachment to building structure.
- E. Keep hands clear of pinch points and wear appropriate safety attire - glasses, gloves and work boots.

**If you have questions, contact your supervisor immediately, your Blue Giant representative or Blue Giant Equipment Corporation at 905-457-3900.**

## INSTALLATION STEPS:

1. Determine the center line of the door opening and head frame.
  - A. Measure width of the door & mark center line on the dock floor, and on the top of the door opening.
  - B. Measure head frame length & mark half of the distance from both sides of the center line, this will be the outer edge.



2. Measure vertical pad length.
  - A. Measure vertical pad length.
  - B. Starting at the dock floor measure upward and mark off same distance on wall.
3. Mount brackets to vertical pad
  - A. Place curtain on frame to align holes.
  - B. Nail curtain to the frame at the top edges.
  - C. Lag bolt together the flashing, curtain and frame with hardware provided.

5. Attach the face curtains
  - A. Attach the flaps on the curtain to the inside and outside of the bolster. Inside flaps need to be flush with the bolster. Attach the grommet flaps to the vertical bolster back board with lag screws.
6. Mount curtain style header
  - A. Center head curtain over verticals using the center line (Step 1A). It should position above and over the sides of the verticals.
  - B. Attach 2 x 4 back board to the wall using sinkers: it should be mounted under the curtain and rest on the top edge of the verticals.
  - C. Slide 1" pipe in curtain through the belt type loops on the top of the verticals.
  - D. Curtain with Velcro splits: attach wind straps to vertical back board on the inside wedge.
7. Mount draft pads, one (1) left and one (1) right
  - A. Attach grommet flaps with cable ties; two (2) per draft pad.
  - B. Attach fabric strip to back board with roofing nail making draft pad level with dock floor.
8. Caulking
  - A. We recommend silicone caulk around the entire outer edge of the shelter.

## Suggested Mounting Methods

*Masonry building walls:*

Try to hit mortar joints. Use 1/2" or 3/8" x 3" expansion anchors. Use through-bolt fastening if anchors will not hold, 3/8" threaded rod is recommended.

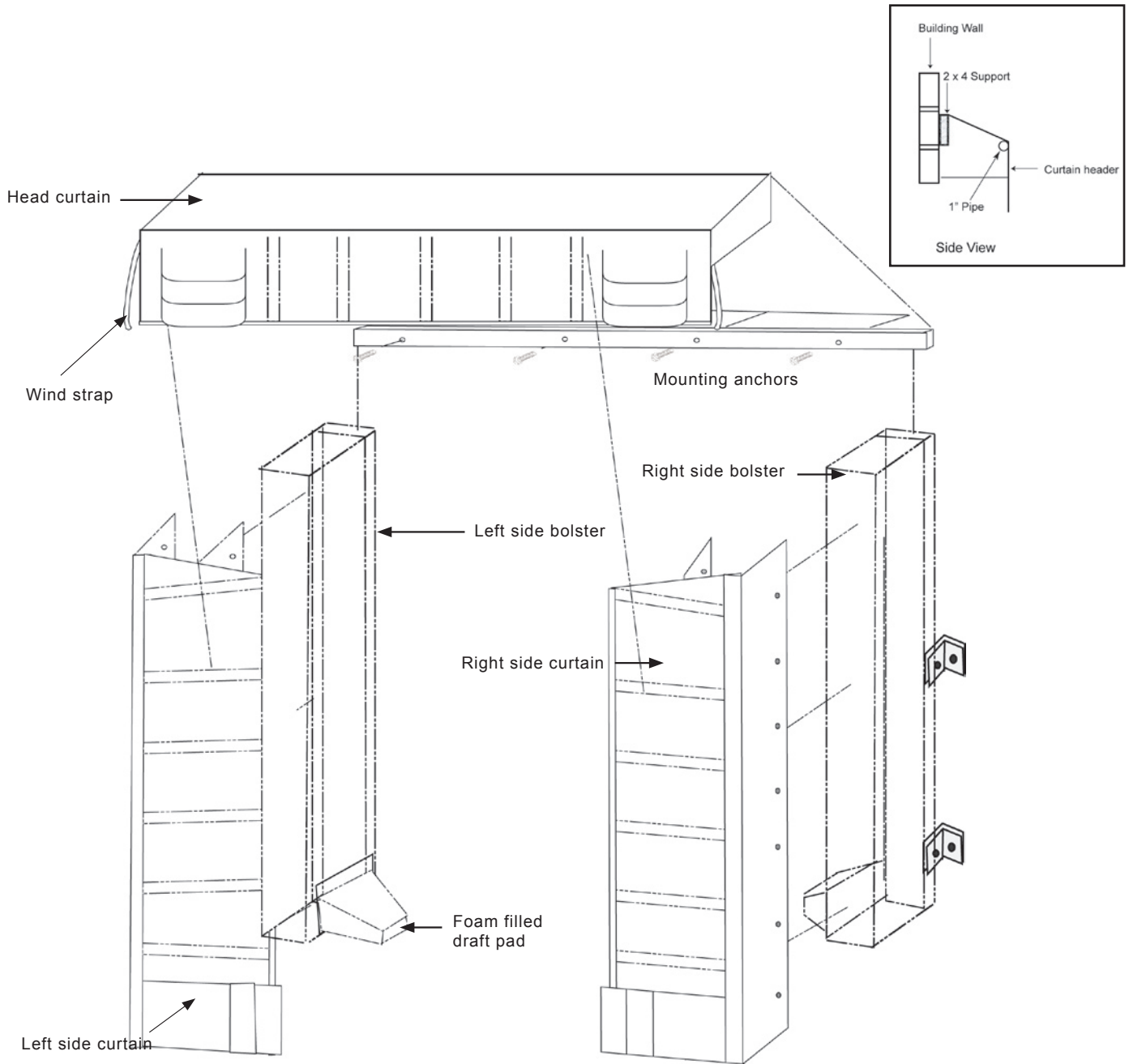
*Metal building walls:*

Through-bolt fastening required. Use a back-up plate (steel or wood) to support bolts or anchor through existing building header and vertical members.

*If the seal is incorrectly specified and/or misapplied for the application, not only will the seal be ineffective, but it may result in damage to the building and the dock seal. Adequate dock bumper projection is a must. Apply taper to dock seal according to the slope of approach to the dock, i.e. dock seal taper should be considered for each 1% angle of decline/incline, over 2%, visit [www.BlueGiant.com](http://www.BlueGiant.com) for more information.*

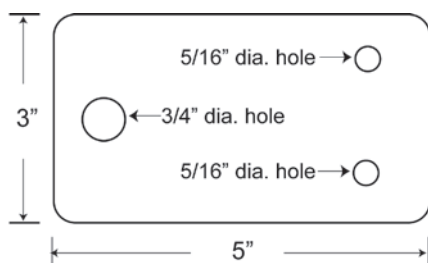
**Note:** Mounting anchors are not included. Product hardware bag includes angle brackets, flat brackets, roofing nails, cable ties, cleats and installation instructions.

# INSTALLATION DRAWING

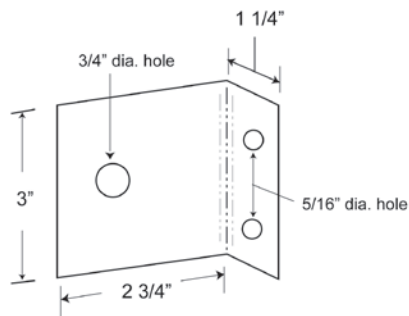


## Mounting Bracket Types

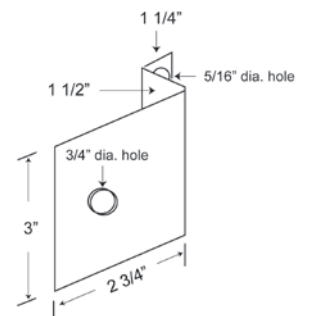
Flat Bracket



Angle Bracket



1 1/2" Offset Bracket



## **Limited Warranty Dock Seals and Shelters**

Blue Giant Equipment Corporation ("Blue Giant") provides a LIMITED ONE-YEAR WARRANTY against defects in materials or workmanship subject to the terms and conditions set forth below.

Blue Giant warrants that at the time of delivery, the title to the Items conveyed shall be good, and the Items shall be delivered free from any security interest or other liens or encumbrances unknown to Buyer.

The limited warranty shall not exceed the cost of labor and materials to replace the Item sold and Blue Giant shall honor it only if Blue Giant has issued prior written authorization of such expenses to the buyer. Blue Giant reserves the right to inspect the Items installed at the facility and to authorize or to make all warranty repairs or replacements at its factory or at other locations designated by Blue Giant. The limited warranty applies only to produces which have been installed by installers authorized by Blue Giant in accordance with printed and written instructions of Blue Giant.

This limited warranty shall be void and unenforceable if any of the following occur:

1. The Items are not installed pursuant to Blue Giant's instructions or if they are not installed by authorized representatives of Blue Giant;
2. The Items have not been maintained by authorized representatives pursuant to Blue Giant's instructions;
3. The Items are damaged or destroyed by fire, wind, flood, earthquake, ground shift, building shift, storm, accident or abuse;
4. Blue Giant fails to receive written notice of any claim to be asserted under the Limited Warranty within one year from the date of shipment by Blue Giant; and
5. Alterations of the Items have been made by personnel not authorized by Blue Giant.

This limited warranty does not cover and Blue Giant hereby expressly assumes no responsibility for defects in the Items caused by incorrect measurements or information or by the improper selection of models based upon information provided by the buyer or third parties, costs of transportation, installation of replacement Items or materials or claims for consequential, contingent or any other damages specifically including damage to products.

Blue Giant may elect to make changes in design, materials, the installation of products or its instruction manuals which improve the performance of subsequent Items without obligation to prior buyers or third parties to install, alter or change any previously manufactured Item or to give notice thereof.

Notice of any claim under this limited warranty shall be sent to Blue Giant in writing addressed to The Warranty Department, Blue Giant Equipment Corporation, 85 Heart Lake Road South, Brampton, Ontario Canada L6W 3K2; [www.BlueGiant.com](http://www.BlueGiant.com) or at such address as Blue Giant shall subsequently designate in writing.

This limited warranty constitutes the entire warranty obligation of Blue Giant to buyer and no other agreement, contract, representation, promise or warranty, either expressed or implied by any person to any other person or buyer shall alter or amend this document without the advance written consent of Blue Giant.

There are no other warranties expressed or implied which extend beyond the description on the face hereof which are created by any means including oral or written representations, affirmation, promise, course of dealing, description or usage of trade, specifically including MERCHANTABILITY or FITNESS FOR A PARTICULAR PURPOSE. Buyer further represents that before entering into a contract for the purpose of the Items, buyer had an opportunity to examine similar goods, a sample or a model or buyer elected not to do so Blue Giant further makes no representation that such Items comply with zoning, building, fire, health or satisfy codes adopted in the area where the Items are installed.



85 Heart Lake Road South  
Brampton, Ontario, Canada L6W 3K2  
Phone: 905-457-3900 • Fax: 905-457-2313  
[www.BlueGiant.com](http://www.BlueGiant.com)

**BLUE GIANT EQUIPMENT CORPORATION**